

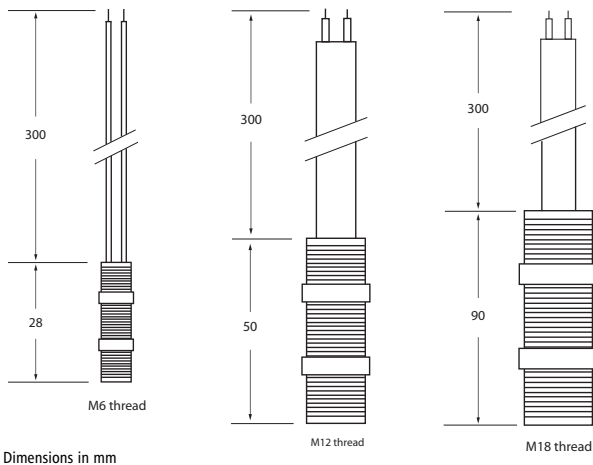


**Normally open  
Magnetic proximity switches  
PTA 470/30, 230/30, 1500/30**



Magnetic proximity switches are operated by a moving magnet and can be used to detect movement in many directions. When the magnet reaches the operate distance from the reed switch, the reed switch contacts will operate (open or close). Moving the magnet away will cause the reed switch contacts to switch back to their original position.

- Nickel plated brass
- Normally open contact



Dimensions in mm

**Specifications**

Parameters	PTA 470/30	PTA 230/30	PTA 1500/30	Units
Contact form	Normally open	Normally open	Normally open	
Suggested magnet	PRM	PTM12	PTM18	
Switch power	10	60	120	W (max.)
Switching voltage	400	230	1500	Vac (max.)
Switching current	0.5	3.0	3.0	A (max.)
Carry current	1.0	4.0	5.0	A (max.)
Breakdown volts.	600	600	3000	VDC (max.)
Contact resistance	150	80	80	mΩ (max.)
Switching distance	3	8	15	mm (min.)
Operating temp range	-20 – 85	-20 – 85	-20 – 85	°C
Thread size	M6	M12	M18	

**PTA series**

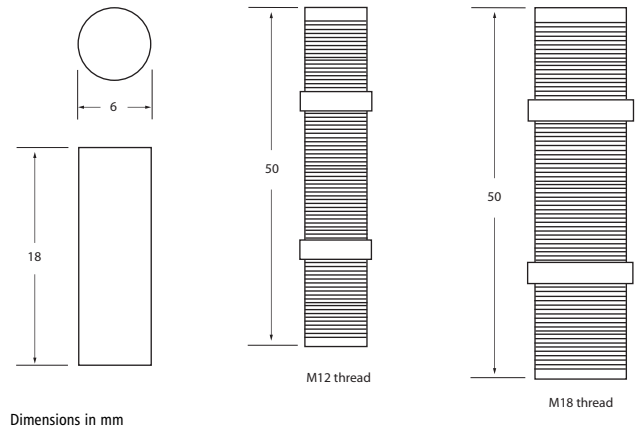
Part No.	Order code
PTA 470/30	L4P41LL
PTA 230/30	L4P41LX
PTA 1500/30	L4P41PK



**Magnets for use with  
proximity switches  
PRM, PTM12, PTM18**



These magnets are recommended for use with the reed proximity sensors. The PTM 12 and PTM 18 are threaded devices with M12 and M18 threads respectively. The PRM is a bare cylindrical magnet.



Dimensions in mm

**Specifications**

	PRM	PTM12	PTM18
Magnet	Bare magnet	Cased magnet	Cased magnet
Case Material	Alcomax	Brass	Brass
Style	Bare	Threaded	Threaded
Proximity switch	PTA 470/30	PTA 230/30	PTA 1500/30

**PRM & PTM series**

Part No.	Order code
PRM	L4T11QT
PTM12	L4T11RH
PTM18	L4T11RR

**Component availability**

Due to agreements with our suppliers not all of our products are available in all countries. The flag system indicates which products are available in your country. If your country is not shown please contact us.

