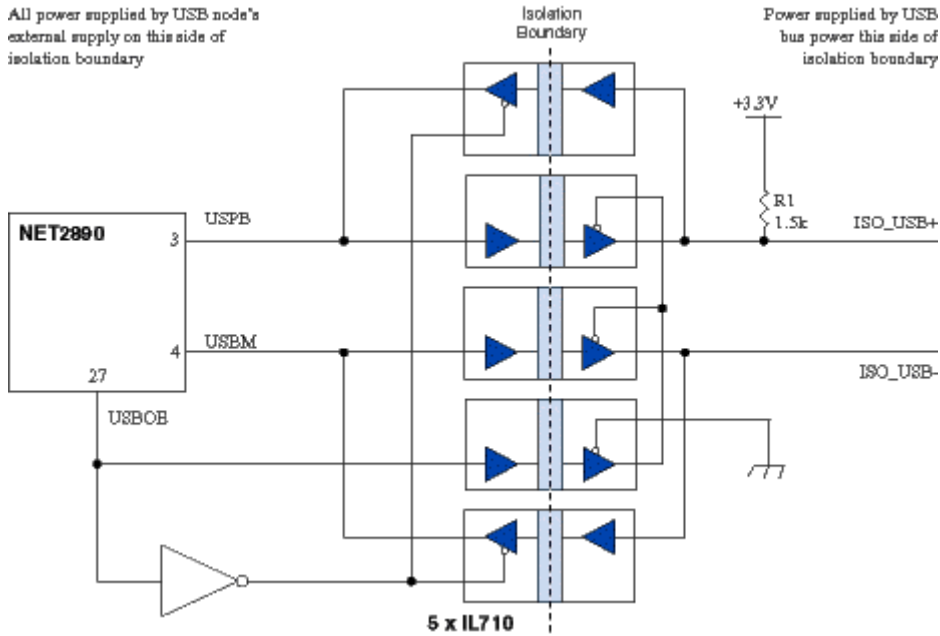


## Isolated USB Using IL710s



In this illustrative circuit, power is supplied by USB bus power on one side of the isolation barrier, and the USB node's external supply on the other side of the barrier. IL700-Series Isolators are specified at just 3 Ns worst-case pulse width distortion. The IL700s provide 2.5 kVrms isolation (1 minute) and 30 kV/ $\mu$ s typical common-mode transient immunity.