

ICS-NH

INDUSTRIAL CONSULTING & SALES

MPT 4A

Miniature Pressure Transmitter

- Extremely small dimensions
- Stainless steel
- Ratiometric output
- Wide pressure range
- Stainless Steel
- Several connection options
- Fast response

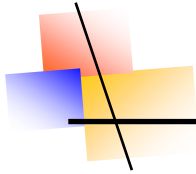


Technical Specification

Feature	Unit	Data
Measurement Range ⁽¹⁾	psi	0 ... 30 psi to 0 ... 3,000 psi
Output Signal (ratiometric)	V	0.5 ... 4.5 V @ 5VDC Supply
Supply Voltage Range	V	4,5 ... 5,5 V DC
Supply Current	mA	< 10 (depends on clock freq. settings)
System response time	ms	0,1 @ max. oscillator frequency and 13 bit AD resolution, other values on request

(1) Pressure range is defined by client





ICS-NH

INDUSTRIAL CONSULTING & SALES

Feature	Unit	Data
Nonlinearity	%FS	< 0.5
Hysteresis	%FS	< 0.2
Repeatability	%FS	< 0.1
Operating Temperature Range	°F	- 67 ... + 260
Pressure Overload		2 * nominal pressure
Burst Pressure		5 * nominal pressure
Electrical Connection		Cable, M4 connector, custom

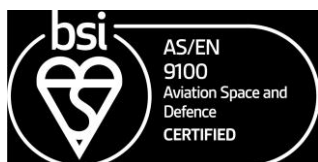
Other data on request

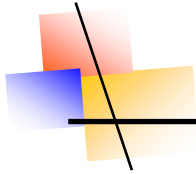
System description:

This system uses a thin film pressure sensor made of stainless steel (17-4PH), which is e-beam welded on the pressure port. For signal conditioning, an ASIC is used. The ASIC has a broad field of options in the systems settings, so we have shown just a few parameters in the table above. In addition, the ASIC has the following general features:

- Reverse polarity and short-circuit protection
- Excellent EMC/ESD robustness and AEC-Q100 qualification
- High voltage protection up to 33V

More data and details on request



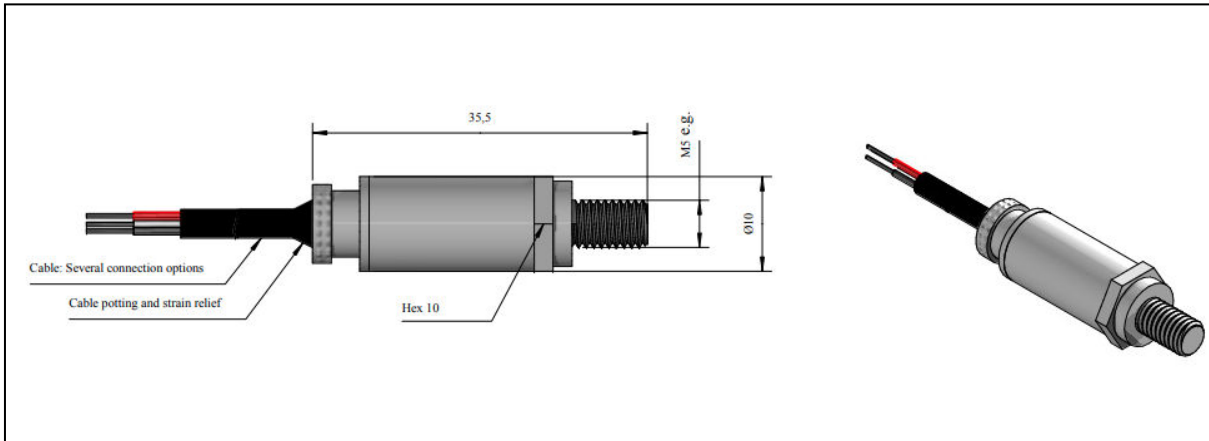


ICS-NH

INDUSTRIAL CONSULTING & SALES

Mechanical Details

Cable Version:



Dimensions in mm

Other data on request

