

High-Temperature Automotive Adjustable, Linear Voltage Regulator +3.0V to +28V / 50mA

CXT-STA4919- Preliminary Datasheet

Version: 1.0
(see note 1)

General description

CXT-STA4919 is part of the new CXT series of components designed and qualified for high-temperature automotive environments.

It is a high-temperature, high-reliability, 50mA adjustable linear voltage regulator suitable to generate from a +4.5V to +30V voltage source any regulated voltage in the range +3.0V to +28V. Its operating junction temperature ranges from -55°C to +175°C, in excess of AEC-Q100 Grade 0 automotive qualification standard. The regulator is self-protected with a built-in current limiter and a thermal protection. CXT-STA4919 brings unique benefits in applications where the ambient or operating temperature is high and above the temperature supported by traditional semiconductors.

The IC features a chip-enable (CE active low) input signal allowing placing the circuit in low-power, disable mode.

The output voltage is adjustable by an external feedback resistor network.

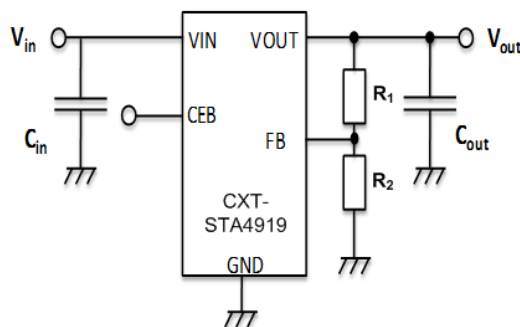
CXT-STA4919 is available in a tiny plastic package PSOIC8 with exposed pad for small PCB footprint and low thermal resistance.

Applications

Regulated power supplies for embedded electronics in automotive and industrial systems.

Features

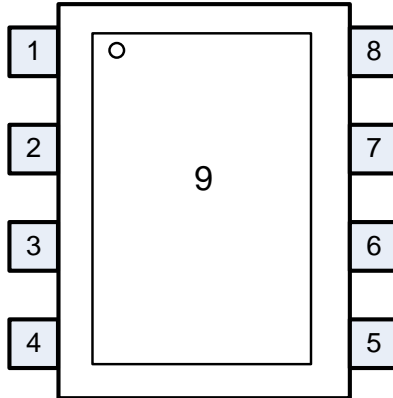
- Junction operating temperature from -55°C to 175°C
- Input voltage from 4.5V to 30V, with input transient (Load dump) up to 35V
- Output voltage: from 3.0V to 28V
- Output voltage total accuracy: $\pm 5\%^2$
- Output current: 50mA max
- Min voltage dropout @ 50mA: 0.7V
- Line regulation: -1% max
- Load regulation: -0.2% max
- C_{out} : min 1 μ F
- Chip Enable
- Input ripple rejection: 65dB typ @ 100Hz
- Quiescent current: 1.1 mA typ.
- Stand-by current: 40 μ A typ.
- Current limitation
- Latch-up free
- PSOIC8 Package with exposed pad
- AEC-Q100 Grade 0 & PPAP capable³



¹ Please always refer to the latest datasheet version available at <http://www.cissoid.com/files/files/products/star/CXT-STA4919.pdf>

² Excluding accuracy of external components but including initial accuracy variation, temperature variation, line and load regulation variations

³ Contact CISSOID about qualification status

Pinout


Pin Number	Pin Name	Description
1	CEB	Chip Enable
2	GND	Negative power supply ⁴
3	GND	Negative power supply ⁴
4	OUT	Output voltage ⁵
5	OUT	Output voltage ⁵
6	VIN	Positive power supply ⁶
7	VIN	Positive power supply ⁶
8	FB	Feedback
9	VIN	Positive power supply ⁷

⁴ Pins 2 and 3 need to be connected at PCB level

⁵ Pins 4 and 5 need to be connected at PCB level

⁶ Pins 6 and 7 need to be connected at PCB level

⁷ Exposed pad connection to PCB is only necessary if thermal design requires it

Absolute Maximum Ratings

Supply Voltage VIN to GND	-0.5 to 35V
Voltage on CEB and FB	max VIN
Peak output current	Internally limited
Junction Temperature (Tj)	185°C

Operating Conditions

Supply Voltage VIN to GND:	4.5V to 30V
Junction temperature	-55°C to +175°C
Continuous current	0 to 50 mA

ESD Rating

Human Body Model	>4kV
------------------	------

CAUTION: Stresses above those listed in "Absolute Maximum Ratings" may cause permanent damage to the device. This is a stress only rating and operation of the device at these or any other conditions above those indicated in the operational sections of this specification is not implied. Frequent or extended exposure to absolute maximum rating conditions or above may affect device reliability. Permanent uses of the device in short-circuit state or in over-temperature state may affect long term reliability of the device.

Electrical Characteristics

Unless otherwise stated, $T_j = 25^\circ\text{C}$, $C_{in} = 4.7\mu\text{F}$, $C_{out} = 4.7\mu\text{F}$. **Bold** figures point out values valid over the whole temperature range ($T_j = -55^\circ\text{C}$ to $+175^\circ\text{C}$).

Parameter	Symbol	Condition	Min	Typ	Max	Unit
Input Voltage	VIN		4.5		30	V
Output voltage range	VOU	VIN = [4.5V-30V]	3.0		28V	V
Dropout ⁸	D _r	I _{out} = 50mA	0.7		25	V
Output current	I _{out}		0		50	mA
Output voltage total accuracy		VIN = [4.5-30]V I _{out} = [0 .. 50]mA	VOU -5%		VOU +5%	V
Output voltage temperature drift		VIN= 5V; VOU = 3.3V I _{out} = 0mA T _j = [25°C - 175°C]		+2.2		%
Output voltage line regulation		VIN = [4.5-30]V; VOU = 3.3V I _{out} = 0mA			-1	%
Output voltage load regulation		VIN = 5V; VOU = 3.3V I _{out} = [0 .. 50]mA		-0.06⁹		%
		VIN = 30V; VOU = 27V I _{out} = [0 .. 50]mA		-0.19		
Quiescent current ¹⁰	I _q	VIN = 5V; VOU = 3.3V I _{out} = 0 mA		1		mA
		VIN = 30V; VOU = 5V I _{out} = 0 mA		1.15		
Standby current ¹⁰	I _{standby}	VIN = 5V; T _j = 175°C CEB = 5V		7		μA
		VIN = 30V; T _j = 175°C CEB = 5V		40		μA
Response to Line Transient		VIN from 5V to 10V (5V/μs) VOU = 3.3V; I _{out} = 50mA		+5		%
		VIN from 10V to 5V (5V/μs) VOU = 3.3V; I _{out} = 50mA		-5		%
		VIN from 5V to 6V (5V/μs) VOU = 3.3V; I _{out} = 50mA		+1		%
		VIN from 6V to 5V (5V/μs) VOU = 3.3V; I _{out} = 50mA		-1		%
Response to Load Transient		VIN = 10V; VOU = 3.3V I _{out} from 10mA to 50 mA (10mA/μs), T _j = 175°C		-5		%
		VIN = 10V; VOU = 3.3V I _{out} from 50 mA to 10 mA (10mA/μs), T _j = 175°C		+7		%
Power Supply Rejection Ratio (VIN=10V, VOU=1.8V, I _{out} =10mA)	PSRR	100Hz		65		dB
		1 KHz		45		dB
Output noise voltage		BW = [1Hz .. 10KHz] VOU=3.3V; T _j = 25°C		37		μV _{RMS}
Short-circuit current	I _{SC}	VIN = [4.5-30]V	110	200	260	mA
FB input current	I _{FB}	VIN=10V; T _j = 175°C V _{FB} = 0.9V +/- 10%		50		nA
CEB input current	I _{CEB}	VIN = 5V; V _{CEB} =5V; T _j = 175°C		3		μA
CEB V _{IL}	V _{IL CEB}				1.2	V
CEB V _{IH}	V _{IH CEB}		2			V
Over temperature protection threshold	TH _{OTP}			TBD		°C
Over temperature protection hysteresis	Hyst _{OTP}			10		°C
Junction-to-case thermal resistance	R _{θJC}			TBD		°C/W
Junction-to-ambient thermal resistance ¹¹	R _{θJA}			55		°C/W

⁸ Refer to Figure 11 for evolution of min dropout in function of required output current

⁹ Load regulation measurements must be done in a way to avoid self-heating effect

¹⁰ Current through feedback resistances excluded

¹¹ Based on FR4 2s2p board + thermal vias under the exposed pad

Typical Performance Characteristics at VOUT=5V

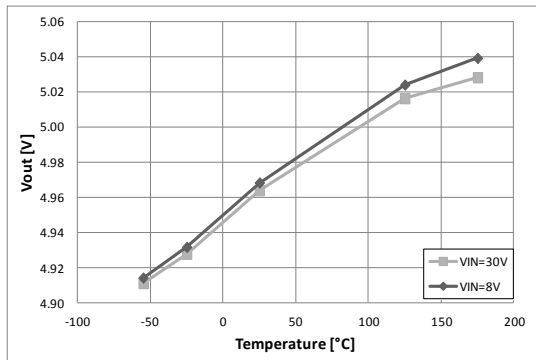


Figure 1: Output voltage temperature drift (Iout = 0 mA)

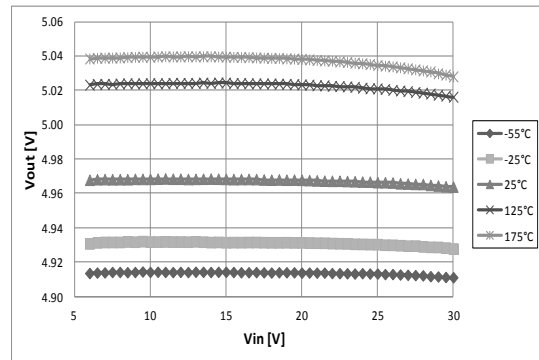


Figure 2: Output voltage line regulation (Iout = 0mA)

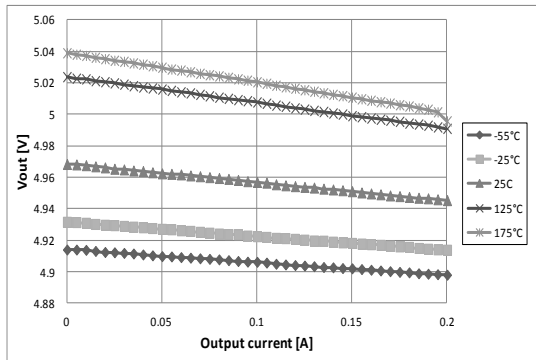


Figure 3: Output voltage load regulation (VIN = 7.5V)

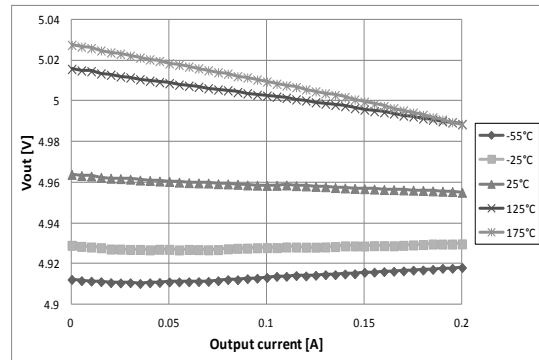


Figure 4: Output voltage load regulation (VIN = 30V)

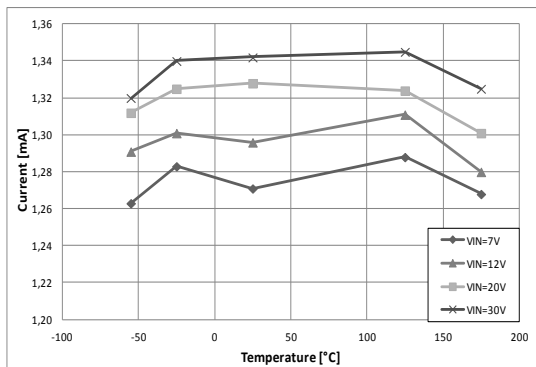


Figure 5: Quiescent current versus temp (Iout = 0 mA)

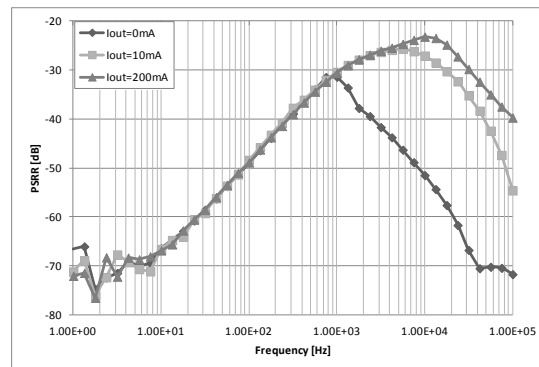


Figure 6: PSRR (VIN=10V, Cout= 4.7µF, Ta=25°C)

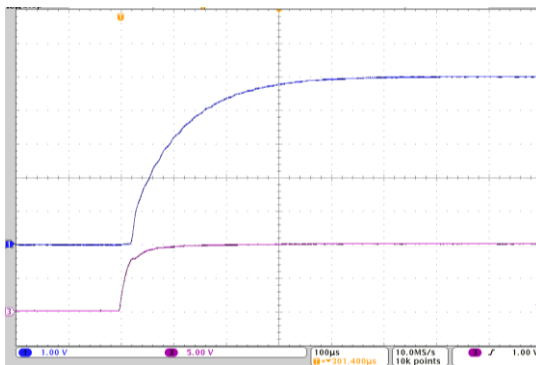


Figure 7: Start-up transient (VIN = 0 to 10V; Iout = 50mA, Ta = 175°C) (1:VOUT, 3:VIN)

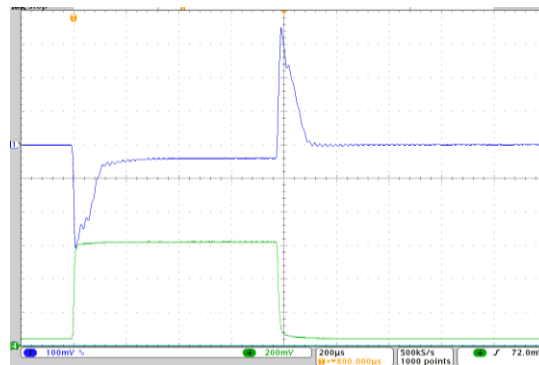


Figure 8: Response to load transient (10mA <-> 50 mA, 25mA/µs, VIN = 10V, Ta = 175°C, Cout = 4.7µF)

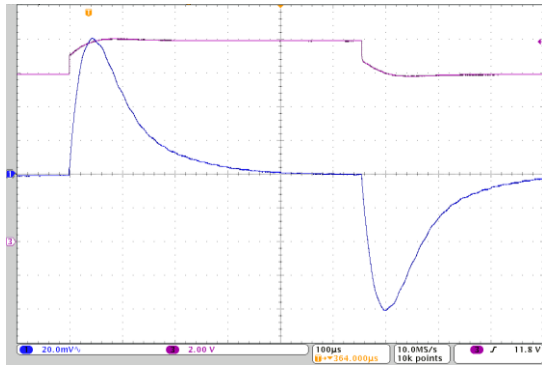
Typical Performance Characteristics (cnt'd)


Figure 9: Response to line transient ($I_{out} = 50\text{ mA}$, V_{IN} : $10 \text{ V} \leftrightarrow 12\text{ V}$, $5\text{ V}/\mu\text{S}$, $T_a = 175^\circ\text{C}$; $C_{out} = 4.7\mu\text{F}$) (1:VOUT AC, 3:VIN)

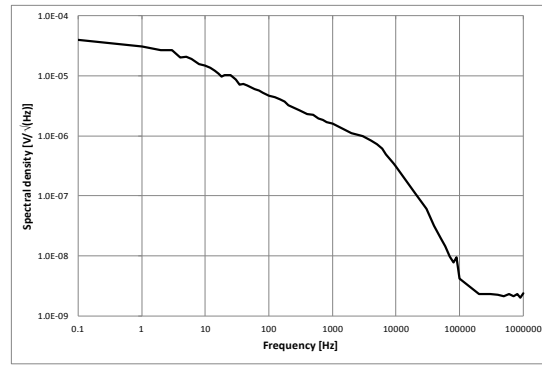


Figure 10: Output noise spectral density ($V_{IN} = 8\text{ V}$, $I_{out} = 0\text{ mA}$, $C_{out} = 4.7\mu\text{F}$, $T_a = 25^\circ\text{C}$)

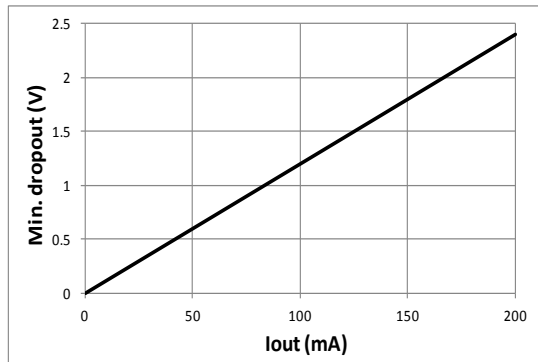


Figure 11: Dropout versus output current ($T_j = 175^\circ\text{C}$)

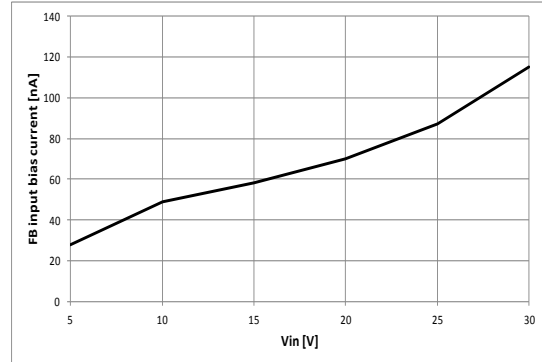


Figure 12: FB pin input leakage current (175°C)

Circuit Functionality

Safe operating area, power dissipation, and PCB layout considerations:

The tiny PSOIC8 package with exposed pad used for CXT-STA4919 requires adequate PCB layout in order to achieve efficient thermal dissipation, the minimization of the junction operating temperature, and maximizing the power dissipation taking advantage of the temperature behavior capability of CXT-STA4919.

The junction-to-air overall thermal resistance of CXT-STA4919 in PSOIC8 with exposed pad package relies, to a large extent, on the implementation of the copper mounting pads that act as a heatsink for the integrated circuit. The design must take into consideration the size of the copper pad and its placement on either of the board surfaces, or both.

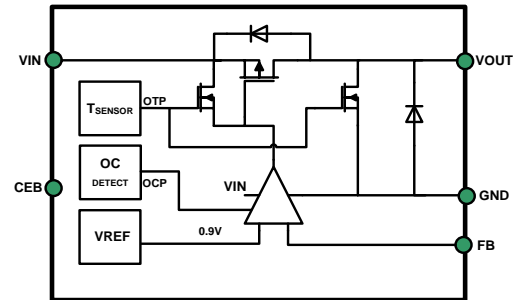
The maximum power dissipation is determined by the maximum junction temperature rating, the ambient temperature, and junction-to-ambient thermal resistance:

$$P_{DMAX} = (T_{JMAX} - T_A) / R_{\theta JA}$$

Where $T_{JMAX} = 175^{\circ}\text{C}$ and $R_{\theta JA} = R_{\theta JC} + R_{\theta CA}$ with $R_{\theta JA} \approx 55^{\circ}\text{C/W}$ (depends on the size of the copper mounting pad and thermal coupling to the PSOIC8 package with exposed pad¹²).

Contact Cissoïd for getting access to reference PCB layout information.

Functional Block diagram



A PMOS transistor controls the level of current flowing from VIN to VOUT. An internal voltage reference of 0.9V (highly stable over the whole temperature range) provides the reference to which the voltage on the FB pin is compared. The internal amplifier drives the gate of the PMOS and regulates VOUT.

An on-chip temperature sensor with hysteresis monitors the die temperature; if this die temperature exceeds a predefined threshold, the PMOS transistor is disabled and VOUT is connected to GND.

In addition, an overcurrent protection circuit is implemented which limits gracefully the output current to a pre-defined value.

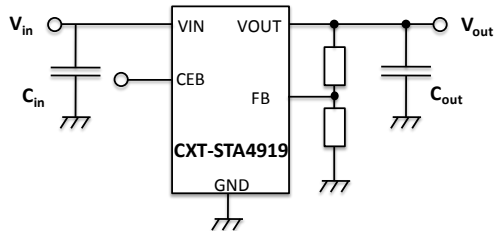
A Chip Enable function is provided thru the CEB pin: when tied low, the CXT-STA4919 is enabled and operates normally; when CEB is tied high, CXT-STA4919 is disabled. Note that the disable circuitry acts in the same way as the over-temperature disabling scheme as described above.

¹² More information available soon.

External resistances calculation rules

R1 and R2 values should be computed as follows:

$$\frac{R1 + R2}{R2} = \frac{VOUT}{0.9V}$$



R1+R2 value should be lower than 200kΩ to limit the impact of the FB input leakage current. For VOUT = 0.9V, VOUT signal can be tied directly to FB pin.

Input and output capacitance

CXT-STA4919 requires an output capacitor connected between VOUT and GND to stabilize the internal control loop. The output capacitance value must be between 1 μF and 10 μF; ESR (equivalent series resistance) value should be between 0.01Ω and 1Ω.

Higher capacitor values offer improved behaviour in case of fast and high amplitude load transient.

There is no explicit requirement on the value of the input capacitance. Its size mainly depends on system aspects (impedance of the power source, distance between power source and CXT-STA4919, amount and speed of the load transients ...). CISSOID recommends the use of a 1 μF input capacitance.

CEB input

CEB input pin internal circuit is depicted in Figure 13.

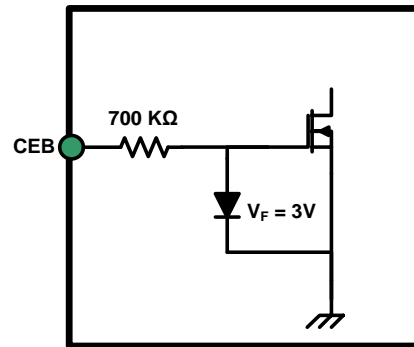


Figure 13

CEB threshold is set by the threshold of the transistor T1 (value between 1.2 and 2V).

It is expected that CEB pin will be driven by a controller and so that the CEB control signal voltage range will be typically between 0V and [3.3V-5V]; in this case, the leakage current through the CEB pin will 3 μA typ. over the whole temperature range.

Would the application use a larger voltage swing to control the CEB pin, system designers should take into account that CEB pin will present an additional equivalent resistance of about 700kΩ.

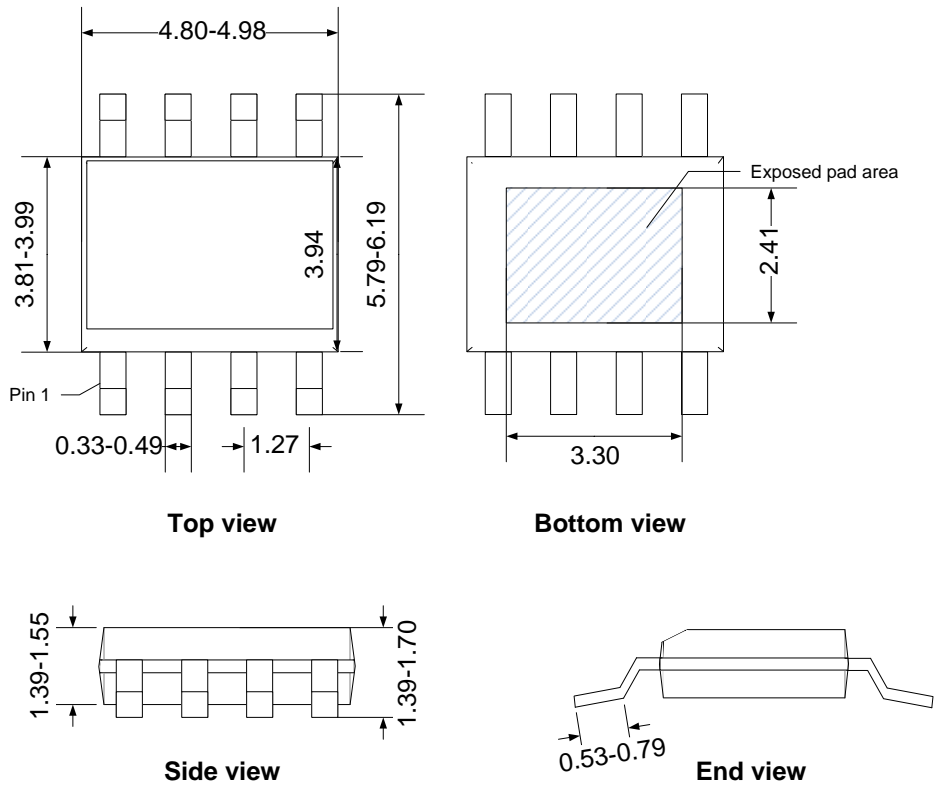
Current limit

In case the load connected to CXT-STA4919 would demand more than 50 mA current, the internal current limiter circuit will limit the maximum current delivered by CXT-STA4919 to 200mA (typical) whatever the output voltage.

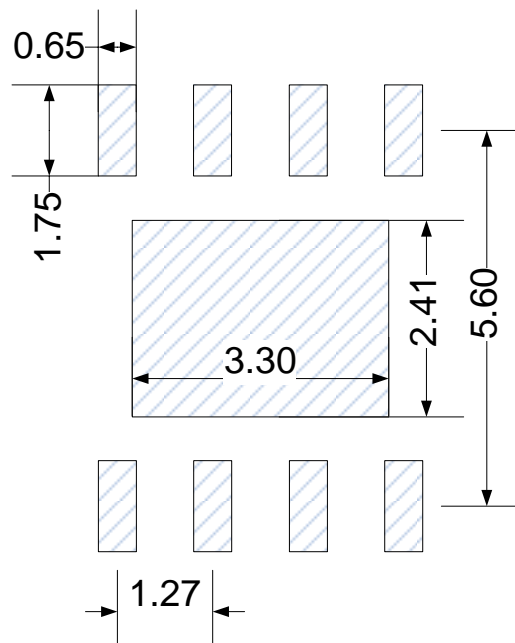
If the output current exceeds the recommended 50mA and depending on the conditions (dropout, junction-2-air thermal resistance), the internal thermal protection could get activated and CXT-STA4919 would then switch between 2 modes:

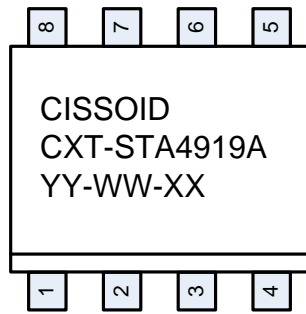
- Thermal protection active; no output current
- Thermal protection not active; output current internally limited.

In case of short-circuit, both current limiter and thermal protection will be activated and will protect the device.

Package Dimension


PSOIC8-EP physical dimensions (+/-0.2mm)

Suggested Pad Layout


Marking information


YY	Year (last 2 digits)
WW	Week (1 to 53)
XX	Assembly lot ID

Ordering Information

Product Name	Ordering Reference	Package	Marking
CXT-STA4919	CXT-STA4919A-PSOIC8-EP	PSOIC8-EP	CXT-STA4919A

Contact & Ordering

CISSOID S.A.

Headquarters and contact EMEA:	CISSOID S.A. – Rue Francqui, 3 – 1435 Mont Saint Guibert - Belgium T : +32 10 48 92 10 - F: +32 10 88 98 75 Email: sales@cissoid.com
Sales Representatives:	Visit our website: http://www.cissoid.com

Disclaimer

Neither CISSOID, nor any of its directors, employees or affiliates make any representations or extend any warranties of any kind, either express or implied, including but not limited to warranties of merchantability, fitness for a particular purpose, and the absence of latent or other defects, whether or not discoverable. In no event shall CISSOID, its directors, employees and affiliates be liable for direct, indirect, special, incidental or consequential damages of any kind arising out of the use of its circuits and their documentation, even if they have been advised of the possibility of such a damage. The circuits are provided "as is". CISSOID has no obligation to provide maintenance, support, updates, or modifications.