

IsoLoop Isolators Have Excellent Thermal Characteristics

Excellent Thermal Characteristics

Award-winning IsoLoop[®] Isolators have excellent thermal characteristics, enabling the devices to run at high speed and high ambient temperatures with minimal temperature rise. This provides wide operating margin and contributes to exceptional reliability.

This bulletin summarizes IsoLoop thermal specifications, describes how thermal resistance is measured, and provides a representative thermal derating curve.

Unique Design

IsoLoop Isolators are based on spintronics rather than semiconductors. This technology provides high channel density, precision, and low power. And unlike semiconductors, which generally have poor thermal characteristics, spintronics use nanoscale metal films with good thermal characteristics.

The device packages also contribute to thermal performance. Unlike conventional package leadframes, which contain significant percentages of iron, IsoLoop Isolator leadframes use high-copper alloys, which have high thermal conductivity. The isolator leadframe area is maximized to enhance the radiation of heat. Finally, because their revolutionary design does not require die to be electrically insulated from the leadframe, die attach adhesives with high electrical and thermal conductivity are used.

IsoLoop Thermal Specifications

Typical IsoLoop thermal specifications for NVE’s most popular package types are summarized in the following table. Specifications may vary slightly between models, so refer to datasheets for exact specifications.

Parameter	Symbol	Package	Typ.	Max.	Units	Test Conditions
Junction–Ambient Thermal Resistance	θ_{JA}	3 mm MSOP-8	80		°C/W	Soldered to double-sided board; free air
		0.15" SOIC-8	63			
		0.15" QSOP-16	63			
		0.15" SOIC-16	39			
		0.3" SOIC-16	32			
Junction–Case (Top) Thermal Resistance	θ_{JT}	3 mm MSOP-8	40		°C/W	Soldered to double-sided board; free air
		0.15" SOIC-8	35			
		0.15" QSOP-16	35			
		0.15" SOIC-16	20			
		0.3" SOIC-16	17			
Power Dissipation	P_D	3 mm MSOP-8		500	mW	Soldered to double-sided board; free air
		0.15" SOIC-8		675		
		0.15" QSOP-16		675		
		0.15" SOIC-16		700		
		0.3" SOIC-16		800		

Table 1. Thermal specifications for popular IsoLoop Isolator packages.

Terms and Symbols

Thermal-related terms and symbols are illustrated as follows:

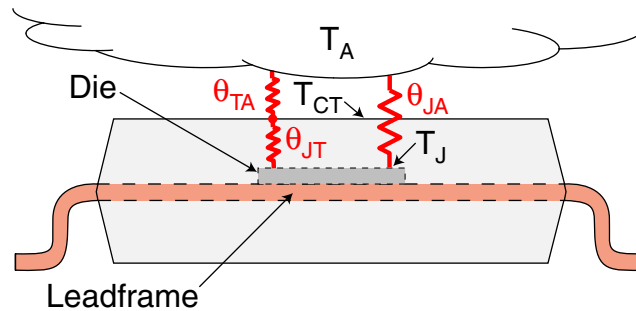


Fig. 1. Thermal-related terms and symbols.

Junction-to-ambient and junction-to-case thermal resistances are calculated as follows:

$$\theta_{JA} \equiv (T_J - T_A)/P_D ;$$

$$\theta_{JT} \equiv (T_J - T_{CT})/P_D$$

Where:

θ_{JA} is the junction-to-ambient thermal resistance;

θ_{JT} is thermal resistance from the junction to the top-center of the case

T_J is the device die or junction temperature;

T_A is ambient temperature;

T_{CT} is the surface temperature of the center-top of the package; and

P_D is the total package power dissipation.

Measuring Thermal Resistance

Temperature at the top of the case can be measured with a low thermal mass thermocouple or a noncontact infrared thermometer. Measuring junction temperature, however, requires some finesse. One method is to use one of the devices' input protection diodes as a temperature sensor, taking advantage of the linear relationship between absolute temperature and the forward voltage drops of a diode with a constant-current bias. The input is reversed biased using the diode-test function of a multimeter or constant-current source measure unit as shown in Figure 2:

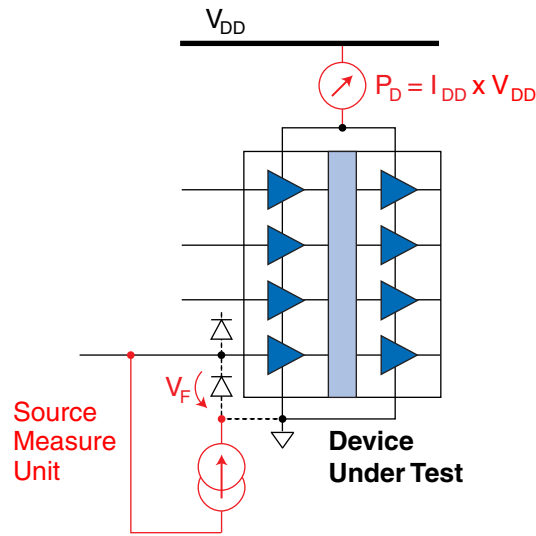


Fig. 2. Measuring thermal resistance.

V_F versus temperature is characterized in an environmental chamber at several temperatures to generate a temperature calibration curve.

Total supply current is monitored to calculate package power dissipation. Power dissipation in the Device Under Test can be varied by changing input speeds, number of active channels, and output loading.

Derating Curves

IL200/IL700-Series Isolators have low quiescent power consumption, although like most electronic devices, power consumption increases with operating frequency and supply voltage. Because of the high speed and channel density of these isolators, temperature rise may need to be considered when running multiple channels at high speed, especially with five volt supplies and the ultraminiature QSOP package. “T-Grade” parts have a maximum operating junction temperature of 125°C, compared to 110°C for standard-grade isolators, for additional margin at extreme operating conditions:

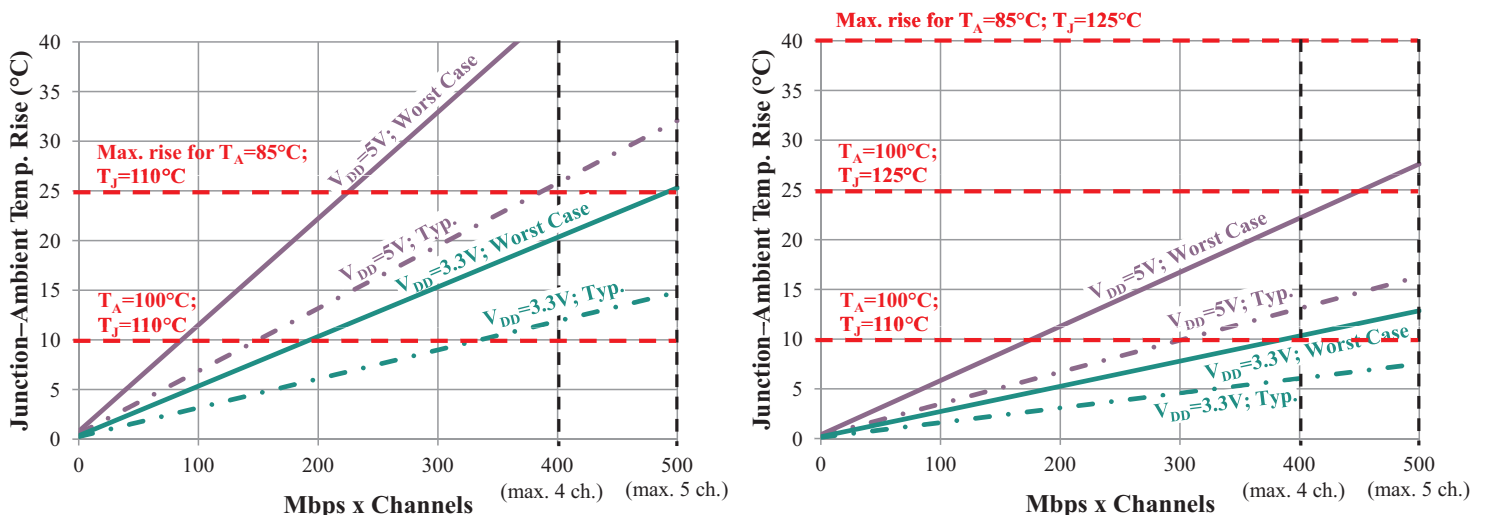


Fig. 3. IL200/IL700-Series derating curves for QSOP (left) and wide-body (right) packages.

Limited Warranty and Liability

Information in this document is believed to be accurate and reliable. However, NVE does not give any representations or warranties, expressed or implied, as to the accuracy or completeness of such information and shall have no liability for the consequences of use of such information.

In no event shall NVE be liable for any indirect, incidental, punitive, special or consequential damages (including, without limitation, lost profits, lost savings, business interruption, costs related to the removal or replacement of any products or rework charges) whether or not such damages are based on tort (including negligence), warranty, breach of contract or any other legal theory.

Right to Make Changes

NVE reserves the right to make changes to information published in this document including, without limitation, specifications and product descriptions at any time and without notice. This document supersedes and replaces all information supplied prior to its publication.

Use in Life-Critical or Safety-Critical Applications

Unless NVE and a customer explicitly agree otherwise in writing, NVE products are not designed, authorized or warranted to be suitable for use in life support, life-critical or safety-critical devices or equipment. NVE accepts no liability for inclusion or use of NVE products in such applications and such inclusion or use is at the customer's own risk. Should the customer use NVE products for such application whether authorized by NVE or not, the customer shall indemnify and hold NVE harmless against all claims and damages.

Applications

Applications described in this datasheet are illustrative only. NVE makes no representation or warranty that such applications will be suitable for the specified use without further testing or modification.

Customers are responsible for the design and operation of their applications and products using NVE products, and NVE accepts no liability for any assistance with applications or customer product design. It is customer's sole responsibility to determine whether the NVE product is suitable and fit for the customer's applications and products planned, as well as for the planned application and use of customer's third party customers. Customers should provide appropriate design and operating safeguards to minimize the risks associated with their applications and products.

NVE does not accept any liability related to any default, damage, costs or problem which is based on any weakness or default in the customer's applications or products, or the application or use by customer's third party customers. The customer is responsible for all necessary testing for the customer's applications and products using NVE products in order to avoid a default of the applications and the products or of the application or use by customer's third party customers. NVE accepts no liability in this respect.

Limiting Values

Stress above one or more limiting values (as defined in the Absolute Maximum Ratings System of IEC 60134) will cause permanent damage to the device. Limiting values are stress ratings only and operation of the device at these or any other conditions above those given in the recommended operating conditions of the datasheet is not warranted. Constant or repeated exposure to limiting values will permanently and irreversibly affect the quality and reliability of the device.

Terms and Conditions of Sale

In case an individual agreement is concluded only the terms and conditions of the respective agreement shall apply. NVE hereby expressly objects to applying the customer's general terms and conditions with regard to the purchase of NVE products by customer.

No Offer to Sell or License

Nothing in this document may be interpreted or construed as an offer to sell products that is open for acceptance or the grant, conveyance or implication of any license under any copyrights, patents or other industrial or intellectual property rights.

Export Control

This document as well as the items described herein may be subject to export control regulations. Export might require a prior authorization from national authorities.

Automotive Qualified Products

Unless the datasheet expressly states that a specific NVE product is automotive qualified, the product is not suitable for automotive use. It is neither qualified nor tested in accordance with automotive testing or application requirements. NVE accepts no liability for inclusion or use of non-automotive qualified products in automotive equipment or applications.

In the event that customer uses the product for design-in and use in automotive applications to automotive specifications and standards, customer (a) shall use the product without NVE's warranty of the product for such automotive applications, use and specifications, and (b) whenever customer uses the product for automotive applications beyond NVE's specifications such use shall be solely at customer's own risk, and (c) customer fully indemnifies NVE for any liability, damages or failed product claims resulting from customer design and use of the product for automotive applications beyond NVE's standard warranty and NVE's product specifications.

An ISO 9001 Certified Company

NVE Corporation
11409 Valley View Road
Eden Prairie, MN 55344-3617 USA
Telephone: (952) 829-9217
www.nve.com
e-mail: iso-info@nve.com

©NVE Corporation
All rights are reserved. Reproduction in whole or in part is prohibited without the prior written consent of the copyright owner.

ISB-AP-24

January 2018