

**SL 5.08HC/23/180B 3.2SN OR BX**

Weidmüller Interfaces GmbH &amp; Co. KG

Postfach 3030

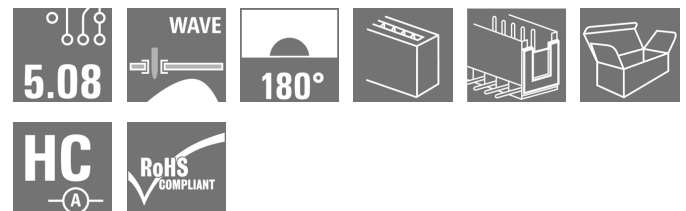
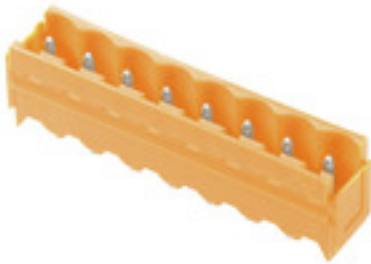
32760 Detmold

Tel. +49 5231 14-0

Fax. +49 5231 14-2083

info@weidmueller.com

www.weidmueller.com

**Product image**

Similar to illustration

Pin headers in glass-fibre-reinforced plastic with straight wire outlet; optimised for wave soldering. The flange variant (F) can be screwed onto the respective counter piece or the circuit board. There is no need for an extra screw to connect the circuit board when the solder flange (LF) version is used. This also protects the solder points from mechanical strain. All pin headers can be manually coded or ordered pre-coded. HC = High Current.

**General ordering data**

Article - short description PCB plug-in connector, male header, Dovetails for fixing blocks, THT solder connection, 5.08 mm, Number of poles: 23, 180°, Solder pin length: 3.2 mm, tinned, orange, Box

|                         |                               |
|-------------------------|-------------------------------|
| Material number         | <a href="#">1148010000</a>    |
| Short text for material | SL 5.08HC/23/180B 3.2SN OR BX |
| EAN                     | 4032248107971                 |
| Qty.                    | 20 pc(s).                     |

Creation date November 18, 2020 1:55:01 PM CET

Catalogue status 18.11.2020 / We reserve the right to make technical changes.

## SL 5.08HC/23/180B 3.2SN OR BX

Weidmüller Interfaces GmbH &amp; Co. KG

Postfach 3030

32760 Detmold

Tel. +49 5231 14-0

Fax. +49 5231 14-2083

info@weidmuller.com

www.weidmuller.com

## Technical data

## Dimensions and weights

|                          |          |                 |            |
|--------------------------|----------|-----------------|------------|
| Depth                    | 8.5 mm   | Depth (inches)  | 0.335 inch |
| Height                   | 15.2 mm  | Height (inches) | 0.598 inch |
| Height of lowest version | 12 mm    | Net weight      | 6.244 g    |
| Width                    | 118.6 mm | Width (inches)  | 4.669 inch |

## System specifications

|                           |                                     |  |                  |
|---------------------------|-------------------------------------|--|------------------|
| Product family            | OMNIMATE Signal - series BL/SL 5.08 | Type of connection                             | Board connection |
| Mounting onto the PCB     | THT solder connection               | Pitch in mm                                    | 5.08 mm          |
| Pitch in inches           | 0.2 inch                            | Outgoing elbow                                 | 180°             |
| Number of poles           | 23                                  | Number of solder pins per pole                 | 1                |
| Solder pin length         | 3.2 mm                              | Solder pin length tolerance                    | +0.1 / -0.3 mm   |
| Solder pin dimensions     | d = 1.2 mm, Octagonal               | Solder pin dimensions = d tolerance            | 0 / -0.03 mm     |
| Diameter of solder eyelet | 1.3 mm                              | Tolerance of the diameter of the solder eyelet | + 0,1 mm         |
| L1 in mm                  | 111.76 mm                           | L1 in inches                                   | 4.4 inch         |
| Number of rows            | 1                                   | Pin series quantity                            | 1                |
| Volume resistance         | ≤5 mΩ                               | Can be coded                                   | Yes              |
| Plugging cycles           | 25                                  | Plugging force/pole, max.                      | 10 N             |
| Pulling force/pole, max.  | 7.5 N                               |  |                  |

## Material data

|                                       |                                |                                       |                                |
|---------------------------------------|--------------------------------|---------------------------------------|--------------------------------|
| Insulating material                   | PA GF                          | Colour                                | orange                         |
| Colour chart (similar)                | RAL 2000                       | Insulating material group             | II                             |
| Comparative Tracking Index (CTI)      | ≥ 550                          | Insulation strength                   | ≥ 10 <sup>8</sup> Ω            |
| UL 94 flammability rating             | V-0                            | Contact material                      | CuMg                           |
| Contact surface                       | tinned                         | Layer structure of solder connection  | 1...3 μm Ni / 2...4 μm Sn matt |
| Layer structure of plug contact       | 1...3 μm Ni / 2...4 μm Sn matt | Storage temperature, min.             | -40 °C                         |
| Storage temperature, max.             | 70 °C                          | Operating temperature, min.           | -50 °C                         |
| Operating temperature, max.           | 100 °C                         | Temperature range, installation, min. | -25 °C                         |
| Temperature range, installation, max. | 100 °C                         |                                       |                                |

## Rated data acc. to IEC

|   |                        |   |       |
|---|------------------------|---|-------|
| tested acc. to standard   | IEC 60664-1, IEC 61984 | Rated current, min. number of poles (Tu=20°C)                         | 24 A  |
| Rated current, max. number of poles (Tu=20°C)                             | 19 A                   | Rated current, min. number of poles (Tu=40°C)                         | 21 A  |
| Rated current, max. number of poles (Tu=40°C)                             | 16.5 A                 | Rated voltage for surge voltage class / pollution degree II/2         | 400 V |
| Rated voltage for surge voltage class / pollution degree III/2            | 320 V                  | Rated voltage for surge voltage class / pollution degree III/3        | 250 V |
| Rated impulse voltage for surge voltage class/ pollution degree II/2      | 4 kV                   | Rated impulse voltage for surge voltage class/ pollution degree III/2 | 4 kV  |
| Rated impulse voltage for surge voltage class/ contamination degree III/3 | 4 kV                   |   |       |

## Rated data acc. to CSA

|                                   |        |                                   |        |
|-----------------------------------|--------|-----------------------------------|--------|
| Rated voltage (Use group B / CSA) | 300 V  | Rated voltage (Use group D / CSA) | 300 V  |
| Rated current (Use group B / CSA) | 18.5 A | Rated current (Use group D / CSA) | 18.5 A |

Creation date November 18, 2020 1:55:01 PM CET

Catalogue status 18.11.2020 / We reserve the right to make technical changes.

2

**SL 5.08HC/23/180B 3.2SN OR BX**

**Weidmüller Interfaces GmbH & Co. KG**

Postfach 3030

32760 Detmold

Tel. +49 5231 14-0

Fax. +49 5231 14-2083

[info@weidmueller.com](mailto:info@weidmueller.com)

[www.weidmueller.com](http://www.weidmueller.com)

E60693

**Technical data**

**Rated data acc. to UL 1059**

Institute (cURus)



Certificate No. (cURus)

[www.weidmueller.com](http://www.weidmueller.com)

Rated voltage (Use group B / UL 1059) 300 V

Rated voltage (Use group D / UL 1059) 300 V

Rated current (Use group B / UL 1059) 18.5 A

Rated current (Use group D / UL 1059) 10 A

Reference to approval values

Specifications are maximum values, details - see approval certificate.

**Packing**

Packaging

Box

VPE length

0

VPE width

0

VPE height

0

**Classifications**

ETIM 6.0

EC002637

ETIM 7.0

EC002637

eClass 9.0

27-44-04-02

eClass 9.1

27-44-04-02

eClass 10.0

27-44-04-02

eClass 11.0

27460201

**Approvals**

Approvals

CURUS; EAC

ROHS

Conform

UL File Number Search

E60693

**Downloads**

Approval/Certificate/Document of Conformity

[CB Certificate](#)  
[CB Testreport](#)  
[Declaration of the Manufacturer](#)

Brochure/Catalogue

[FL DRIVES EN](#)  
[MB DEVICE MANUF. EN](#)  
[FL DRIVES DE](#)  
[CAT 2 PORTFOLIOGUIDE EN](#)  
[FL BUILDING SAFETY EN](#)  
[FL APPL LED LIGHTING EN](#)  
[FLIndustr.CONTROLS EN](#)  
[FL MACHINE SAFETY EN](#)  
[FL HEATING ELECTR EN](#)  
[FL APPL INVERTER EN](#)  
[FL\\_BASE\\_STATION\\_EN](#)  
[FL ELEVATOR EN](#)  
[FL POWER SUPPLY EN](#)  
[FL 72H SAMPLE SER EN](#)  
[PO OMNIMATE EN](#)

Engineering Data

[STEP](#)

Product Change Notification

[EN - Change of packaging](#)  
[DE - Change of packaging](#)

**SL 5.08HC/23/180B 3.2SN OR BX**

**Weidmüller Interfaces GmbH & Co. KG**

Postfach 3030

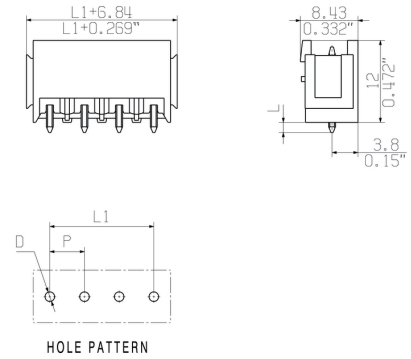
32760 Detmold

Tel. +49 5231 14-0

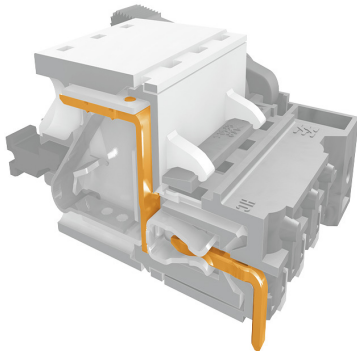
Fax. +49 5231 14-2083

**Drawings**

**Dimensional drawing** [info@weidmueller.com](mailto:info@weidmueller.com)

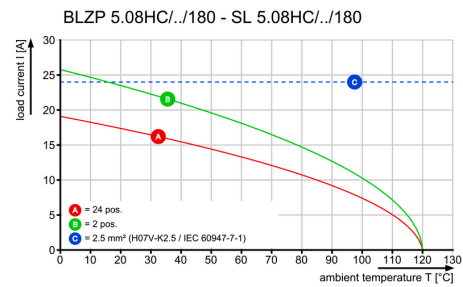


**Product benefits**

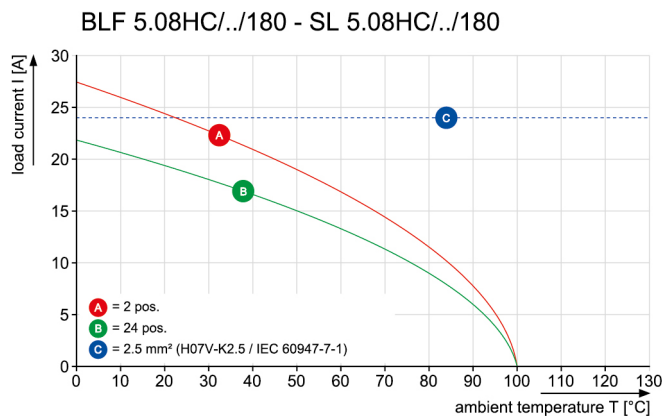


Safe power transmission  
Proven properties

**Graph**



**Graph**



**Graph**

