

RJ45C6 T1V 3.8N4N TY

Weidmüller Interfaces GmbH & Co. KG

Postfach 3030

32760 Detmold

Tel. +49 5231 14-0

Fax. +49 5231 14-2083

info@weidmueller.com

www.weidmueller.com



The product range encompasses the following designs:

- 90°, lying (horizontal) and 180°, standing (vertical)
- latch up / latch down
- THT, THR or SMD soldering processes
- Wide range of different design types, also with integrated LEDs and shield contact tabs
- Performance category Cat. 3 to Cat. 6
- Packed either in a tray (TY) or on a roll (tape-on-reel, RL)
- Compatible with modular RJ45 connector according to ANSI / TIA-1096-A and IEC 60603
- Dielectric strength ≥ 1500 V AC RMS (2250 V AC peak value) according to IEEE 802.3
- Dielectric strength ≥ 1500 V AC (peak value) or ≥ 1500 V DC according to IEC 60603

Properties and advantages:

- Extended temperature range of -40°C to $+85^{\circ}\text{C}$ for maximum performance
- Reinforced gold layer ($30\mu\text{m}$) for improved corrosion protection
- At least 0.3mm stand-off ensures a perfect soldering result

General ordering data

Version	PCB plug-in connector, RJ45 jacks, Cat. 6 , THT solder connection, 180°, Shield tabs: none, 30...80 μm Ni / ≥ 30 μm Au , LED: No, Number of poles: 8, Tray
Order No.	1433920000
Type	RJ45C6 T1V 3.8N4N TY
GTIN (EAN)	4050118238594
Qty.	160 pc(s).
Packaging	Tray
Delivery status	Discontinued
Available until	2019-12-01
Alternative product	2626050000

RJ45C6 T1V 3.8N4N TY

Weidmüller Interfaces GmbH & Co. KG

Postfach 3030

32760 Detmold

Tel. +49 5231 14-0

Fax. +49 5231 14-2083

info@weidmuller.com

www.weidmuller.com

Technical data

Dimensions and weights

Depth	16.7 mm	Depth (inches)	0.657 inch
Height	19.5 mm	Height (inches)	0.768 inch
Height of lowest version	16.2 mm	Net weight	0.44 g
Width	16 mm	Width (inches)	0.63 inch

System specifications

Category	Cat. 6	LED	No
Mounting onto the PCB	THT solder connection	Number of poles	8
Number of solder pins per pole	1	Outgoing elbow	180°
Performance-Category	Cat. 6	Pitch in inches (P)	0.05 inch
Pitch in mm (P)	1.27 mm	Plugging cycles	750
Product family	OMNIMATE Data - RJ45 modular jack	Protection degree	IP20
Shield surface	nickel-plated	Shield tabs	none
Shielding	Yes	Shielding material	Copper alloy
Solder eyelet hole diameter (D)	0.9 mm	Solder eyelet hole diameter tolerance (D)	± 0.1 mm
Solder pin dimensions	0.40 x 0.30 mm	Solder pin length (l)	3.2 mm
Soldering process	Reflow soldering, Manual soldering, Wave soldering	Type of connection	Socket connector
Wiring	8-core		

Electrical properties

Dielectric strength, contact / contact	≥ 1000 V DC	Insulation strength	1000 MΩ at 500 V DC
Rated current	1.5 A	Rated voltage	125 V AC

Standards

Connector standard	IEC 60603-7-51
--------------------	----------------

Material data

Insulating material	PA 66	Colour	black
Colour chart (similar)	RAL 9011	Insulating material group	II
Comparative Tracking Index (CTI)	≥ 500	Insulation strength	1000 MΩ at 500 V DC
UL 94 flammability rating	V-0	Contact base material	Phosphorus bronze
Contact surface	Gold over nickel	Layer structure of plug contact	30...80 μ" Ni / ≥ 30 μ" Au
Storage temperature, min.	-40 °C	Storage temperature, max.	85 °C
Operating temperature, min.	-40 °C	Operating temperature, max.	85 °C

Packing

Packaging	Tray	VPE length	25 mm
VPE width	180 mm	VPE height	300 mm

Classifications

ETIM 6.0	EC002637	ETIM 7.0	EC002637
eClass 9.0	27-44-04-02	eClass 9.1	27-44-04-02
eClass 10.0	27-44-04-02	eClass 11.0	27460201

Data sheet**RJ45C6 T1V 3.8N4N TY****Weidmüller Interfaces GmbH & Co. KG**

Postfach 3030

32760 Detmold

Tel. +49 5231 14-0

Fax. +49 5231 14-2083

info@weidmueller.comwww.weidmueller.com**Technical data****Approvals**

Approvals



ROHS

Conform

UL File Number Search

E471884

Downloads

Brochure/Catalogue

[CAT 9 IETH 18/19 EN](#)
[MB FREECONCONTACT EN](#)
[FL FIELDWIRING EN](#)
[PI PROFINET CABLING EN](#)

User Documentation

[MAN IE GUIDE DE](#)
[MAN IE GUIDE EN](#)

RJ45C6 T1V 3.8N4N TY

Weidmüller Interfaces GmbH & Co. KG

Postfach 3030

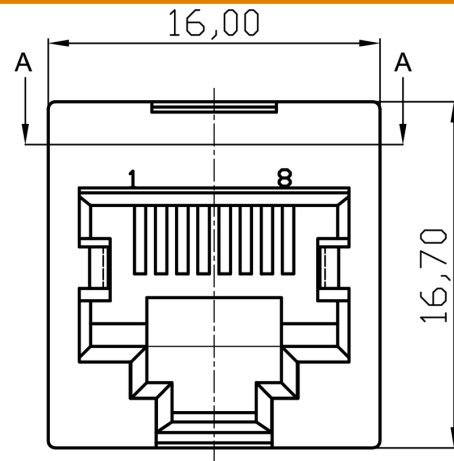
32760 Detmold

Tel. +49 5231 14-0

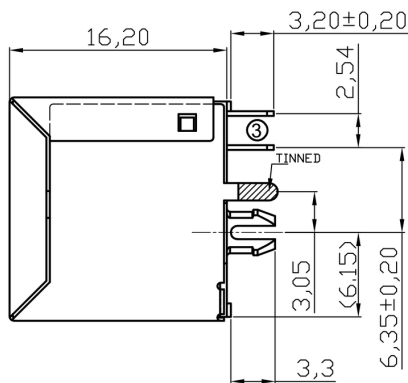
Fax. +49 5231 14-2083

Drawings

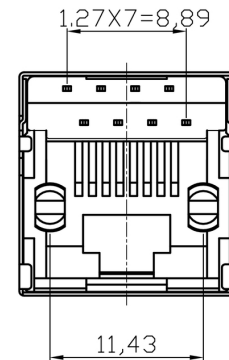
Dimensioned drawing info@weidmueller.com



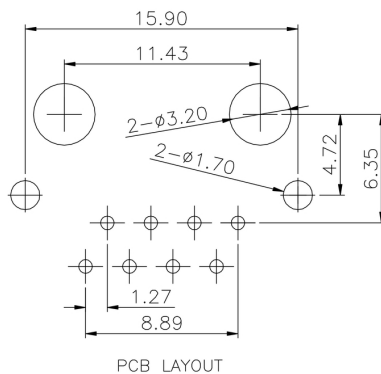
Dimensioned drawing



Dimensioned drawing



PCB design



RJ45C6 T1V 3.8N4N TY

Weidmüller Interfaces GmbH & Co. KG

Postfach 3030

32760 Detmold

Tel. +49 5231 14-0

Fax. +49 5231 14-2083

info@weidmueller.com

www.weidmueller.com

Drawings

Code	Description	Value	Notes
RJ45	Category	Category 5	
G1	Performance Category	Category 5	
R	Assembly on PCB	Through Hole Reflow - THR	
U	Direction, latch style	Horizontal (90°, side entry), latch up	
3.2	Solder Pin length	3.2 mm	
E	EMI tabs (ground fingers)	E = with EMI tabs	
4	Contact surface thickness	1 = 3µ, 2 = 6µ, 3 = 15µ, 4 = 30µ, 5 = 50µ	
GY/GY	LED	Green-Yellow/Green-Yellow	
TY	Packaging	TY Tray in box (manual assembly)	
		RL Tape on Reel (automated assembly)	
		Y/G Yellow/Green	
		G/Y Green/Yellow (standard)	
		GY/GY Green-Yellow/Green-Yellow	
		O/G Orange/Green	
		R/O Red/Orange	
		... (further combinations possible)	
		N without LED	
		E = with EMI tabs	
		N = without EMI tabs	
		3.2 3.2 mm	
		1.6 1.6 mm	
		D SMD	
		U Horizontal (90°, side entry), latch up	
		D Horizontal (90°, side entry), latch down	
		V Vertical (180°, top entry)	
		Y Diagonal (45°), latch up	
		1 1 Port	
		12; 14; ... multi ports side by side, Multiport	
		21; 41; ... multi ports about each other, Multilevel	
		R Through Hole Reflow - THR	
		S Surface Mount Technology - SMT	
		T Through Hole Technology - THT	
		C5 Category 5	
		C6 Category 6	
		C6A Category 6A	
		C5e Category 5e	
		M 10/100 Mbit	
		G1 10/100/1000 Mbit	
		G10 10 Gbit	
		U Unshielded	
		MP 10/100 Mbit with POE	
		MP+ 10/100 Mbit with POE+	

Legend