

## RJ45C5 T1U 2.8N4N TY

Weidmüller Interfaces GmbH & Co. KG

Postfach 3030

32760 Detmold

Tel. +49 5231 14-0

Fax. +49 5231 14-2083

info@weidmueller.com

www.weidmueller.com



The product range encompasses the following designs:

- 90°, lying (horizontal) and 180°, standing (vertical)
- latch up / latch down
- THT, THR or SMD soldering processes
- Wide range of different design types, also with integrated LEDs and shield contact tabs
- Performance category Cat. 3 to Cat. 6
- Packed either in a tray (TY) or on a roll (tape-on-reel, RL)
- Compatible with modular RJ45 connector according to ANSI / TIA-1096-A and IEC 60603
- Dielectric strength  $\geq 1500$  V AC RMS (2250 V AC peak value) according to IEEE 802.3
- Dielectric strength  $\geq 1500$  V AC (peak value) or  $\geq 1500$  V DC according to IEC 60603

Properties and advantages:

- Extended temperature range of  $-40^{\circ}\text{C}$  to  $+85^{\circ}\text{C}$  for maximum performance
- Reinforced gold layer ( $30\mu\text{m}$ ) for improved corrosion protection
- At least 0.3mm stand-off ensures a perfect soldering result

### General ordering data

Version	PCB plug-in connector, RJ45 jacks, Cat. 5 , THT solder connection, 90°, Latch option: top, Shield tabs: none, 30...80 $\mu\text{m}$ Ni / $\geq 30$ $\mu\text{m}$ Au , LED: No, Number of poles: 8, Tray
Order No.	<a href="#">1455240000</a>
Type	RJ45C5 T1U 2.8N4N TY
GTIN (EAN)	4050118261356
Qty.	140 pc(s).
Packaging	Tray

## RJ45C5 T1U 2.8N4N TY

Weidmüller Interfaces GmbH &amp; Co. KG

Postfach 3030

32760 Detmold

Tel. +49 5231 14-0

Fax. +49 5231 14-2083

info@weidmuller.com

www.weidmuller.com

## Technical data

## Dimensions and weights

Depth	15.71 mm	Depth (inches)	0.618 inch
Height	15.86 mm	Height (inches)	0.624 inch
Height of lowest version	13.11 mm	Net weight	2.436 g
Width	16.41 mm	Width (inches)	0.646 inch

## System specifications

Category	Cat. 5	LED	No
Latch option	top	Mounting onto the PCB	THT solder connection
Number of poles	8	Number of solder pins per pole	1
Outgoing elbow	90°	Performance-Category	Cat. 5
Pitch in inches (P)	0.05 inch	Pitch in mm (P)	1.27 mm
Plugging cycles	750	Product family	OMNIMATE Data - RJ45 modular jack
Protection degree	IP20	Shield surface	nickel-plated
Shield tabs	none	Shielding	Yes
Shielding material	Copper alloy	Solder eyelet hole diameter (D)	0.9 mm
Solder eyelet hole diameter tolerance (D)	± 0.1 mm	Solder pin dimensions	0.40 x 0.30 mm
Solder pin length (l)	2.75 mm	Soldering process	Reflow soldering, Manual soldering, Wave soldering
Type of connection	Socket connector	Wiring	8-core

## Electrical properties

Dielectric strength, contact / contact	≥ 1000 V DC	Rated current	1.5 A
Rated voltage	125 V		

## Standards

Connector standard	IEC 60603-7-51
--------------------	----------------

## Material data

Insulating material	PA 66	Colour	black
Colour chart (similar)	RAL 9011	Insulating material group	II
Comparative Tracking Index (CTI)	≥ 500	UL 94 flammability rating	V-0
Contact base material	Phosphorus bronze	Contact surface	Gold over nickel
Layer structure of plug contact	30...80 μ" Ni / ≥ 30 μ" Au	Storage temperature, min.	-40 °C
Storage temperature, max.	85 °C	Operating temperature, min.	-40 °C
Operating temperature, max.	85 °C		

## Packing

Packaging	Tray	VPE length	20 mm
VPE width	180 mm	VPE height	300 mm

## Classifications

ETIM 6.0	EC002637	ETIM 7.0	EC002637
eClass 9.0	27-44-04-02	eClass 9.1	27-44-04-02
eClass 10.0	27-44-04-02	eClass 11.0	27460201

**RJ45C5 T1U 2.8N4N TY****Weidmüller Interfaces GmbH & Co. KG**

Postfach 3030

32760 Detmold

Tel. +49 5231 14-0

Fax. +49 5231 14-2083

[info@weidmueller.com](mailto:info@weidmueller.com)[www.weidmueller.com](http://www.weidmueller.com)**Technical data****Approvals**

Approvals



ROHS

Conform

UL File Number Search

E471884

**Downloads**

Brochure/Catalogue

[CAT 9 IETH 18/19 EN](#)  
[MB FREECONTACT EN](#)  
[FL FIELDWIRING EN](#)  
[PI PROFINET CABLING EN](#)

Engineering Data

[STEP](#)

Product Change Notification

[PCN](#)  
[PCN](#)

User Documentation

[MAN IE GUIDE DE](#)  
[MAN IE GUIDE EN](#)

**RJ45C5 T1U 2.8N4N TY**

**Weidmüller Interfaces GmbH & Co. KG**

Postfach 3030

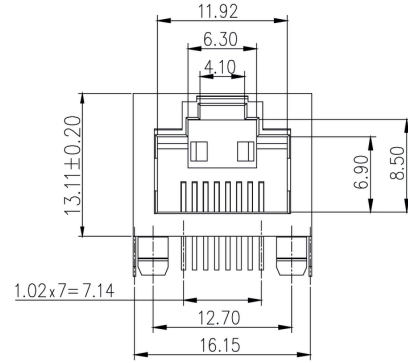
32760 Detmold

Tel. +49 5231 14-0

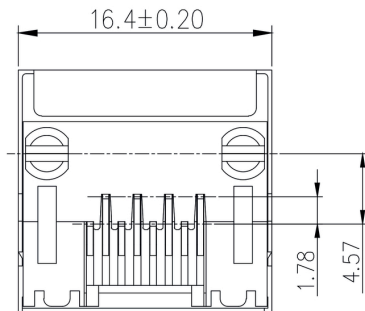
Fax. +49 5231 14-2083

**Drawings**

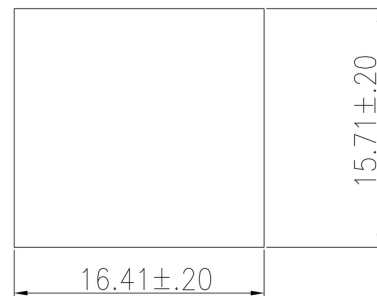
**Dimensioned drawing** [info@weidmueller.com](mailto:info@weidmueller.com)



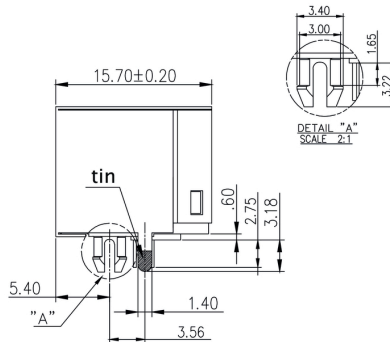
**Dimensioned drawing**



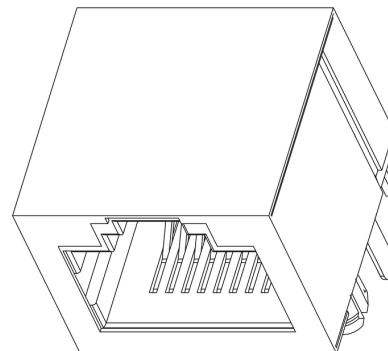
**Dimensioned drawing**



**Dimensioned drawing**



**Drawing**



**RJ45C5 T1U 2.8N4N TY****Weidmüller Interfaces GmbH & Co. KG**

Postfach 3030

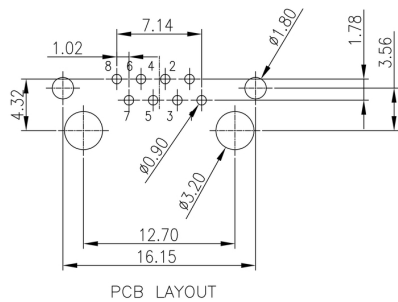
32760 Detmold

Tel. +49 5231 14-0

Fax. +49 5231 14-2083

info@weidmueller.com

www.weidmueller.com

**Drawings****PCB design**

RJ45C5 T1U 2.8N4N TY

Weidmüller Interfaces GmbH & Co. KG

Postfach 3030

32760 Detmold

Tel. +49 5231 14-0

Fax. +49 5231 14-2083

info@weidmueller.com

www.weidmueller.com

Drawings

Code	Value	Description
RJ45	G1	RJ45G1 R1U 3.2E4GY/GY TY
R	1	Through Hole Reflow - THR
U	3.2	Soldering process: Wave or Reflow soldering
E	4	Surface Mount Technology - SMT
4	GY/GY	Soldering process: Reflow soldering
TY	TY	Through Hole Technology - THT
		Soldering process: Wave
		Performance Category
	C5	Category 5
	C6	Category 6
	C6A	Category 6A
	C5e	Category 5e
	M	10/100 Mbit
	G1	10/100/1000 Mbit
	G10	10 Gbit
	U	Unshielded
	MP	10/100 Mbit with POE
	MP+	10/100 Mbit with POE+
		Packaging
	TY	Tray in box (manual assembly)
	RL	Tape on Reel (automated assembly)
		LED
	Y/G	Yellow/Green
	G/Y	Green/Yellow (standard)
	GY/GY	Green-Yellow/Green-Yellow
	O/G	Orange/Green
	R/O	Red/Orange
	...	... (further combinations possible)
	N	without LED
		Contact surface thickness
	4	1 = 3µ, 2 = 6µ, 3 = 15µ, 4 = 30µ, 5 = 50µ
		EMI tabs (ground fingers)
	E	E = with EMI tabs
	N	N = without EMI tabs
		Solder Pin length
	3.2	3.2 mm
	1.6	1.6 mm
	D	SMD
		Direction, latch style
	U	Horizontal (90°, side entry), latch up
	D	Horizontal (90°, side entry), latch down
	V	Vertical (180°, top entry)
	Y	Diagonal (45°), latch up
		Number of Ports
	1	1 Port
	12; 14; ...	multi ports side by side, Multiport
	21; 41; ...	multi ports about each other, Multilevel
		Assembly on PCB
	R	Through Hole Reflow - THR
	S	Soldering process: Wave or Reflow soldering
	SMT	Surface Mount Technology - SMT
	T	Soldering process: Reflow soldering
	THT	Through Hole Technology - THT
	W	Soldering process: Wave

Legend