

RJ45G1 R1V 3.3N4YG/YG TY

Weidmüller Interfaces GmbH & Co. KG

Postfach 3030

32760 Detmold

Tel. +49 5231 14-0

Fax. +49 5231 14-2083

info@weidmueller.com

www.weidmueller.com



RJ45 transmitter sockets (magnetics) for gigabit applications (1000 base-T) with integrated compensation actively counteracts inductive and capacitive couplings and saves space on the PCB.

The product range encompasses the following designs:

- 90°, lying (horizontal) and 180°, standing (vertical)
- latch up / latch down
- THT, THR or SMD soldering processes
- Wide range of different design types, also with integrated LEDs and shield contact tabs
- Transmission rates of up to 1 Gbps
- Packed either in a tray (TY) or on a roll (tape-on-reel, RL)
- Compatible with modular RJ45 connector according to ANSI / TIA-1096-A and IEC 60603
- Dielectric strength ≥ 1500 V AC RMS (2250 V AC peak value) according to IEEE 802.3
- Dielectric strength ≥ 1500 V AC (peak value) or ≥ 1500 V DC according to IEC 60603
- Compliance with IEEE 802.3 requirements (1000Base-T, 1 Gbps, IEEE 802.3ab or 100Base-Tx, 100 Mbps, IEEE 802.3u)

Properties and advantages:

- Extended temperature range of -40 °C to $+85$ °C for maximum performance
- Reinforced gold layer (30μ "") for improved corrosion protection

- At least 0.3mm stand-off ensures a perfect soldering result

General ordering data

Article - short description	PCB plug-in connector, RJ45 jacks transformer, 1000 Mbps, THT/THR solder connection, 180°, Shield tabs: none, 30...80 μ " Ni / ≥ 30 μ " Au, LED: Yes, Green/yellow, Green/yellow, Number of poles: 10, Tray (manual assembly)
Material number	1534760000
Short text for material	RJ45G1 R1V 3.3N4YG/YG TY
EAN	4050118338423
Qty.	120 pc(s).

Creation date November 18, 2020 1:34:29 PM CET

RJ45G1 R1V 3.3N4YG/YG TY

Weidmüller Interfaces GmbH & Co. KG

Postfach 3030

32760 Detmold

Tel. +49 5231 14-0

Fax. +49 5231 14-2083

info@weidmueller.com

www.weidmueller.com

Technical data**Dimensions and weights**

Depth	16.8 mm	Depth (inches)	0.661 inch
Height	20.3 mm	Height (inches)	0.799 inch
Height of lowest version	17 mm	Net weight	3.783 g
Width	16 mm	Width (inches)	0.63 inch

Environmental Product Compliance

REACH SVHC Lead 7439-92-1

System specifications

Colour of left LED	Green/yellow	Colour of right LED	Green/yellow
Diameter of solder eyelet	0.9 mm	LED	Yes
Mounting onto the PCB	THT/THR solder connection	Number of poles	10
Number of solder pins per pole	1	Outgoing elbow	180°
Performance-Category	1000 Mbps	Pitch in inches	0.05 inch
Pitch in mm	1.27 mm	Plugging cycles	750
Product family	OMNIMATE Data - RJ45 transformer jack	Protection degree	IP20
Shield surface	nickel-plated	Shield tabs	none
Shielding	Yes	Shielding material	Brass
Solder pin dimensions	0.40 x 0.30 mm, LED pins = 0.50 x 0.50 mm	Solder pin length	3.2 mm
Soldering process	Manual soldering, Wave soldering	Tolerance of the diameter of the solder eyelet	± 0.1 mm
Transmission rate	1000 Mbps	Type of connection	Socket connector
Wiring	10-wire		

Electrical properties

Dielectric strength, contact / contact	1000 V DC	Dielectric strength, contact / shield	1500 V DC
Insulation strength	> 500 MΩ	Rated current	1.5 A
Rated voltage	125 V AC		

Standards

Connector standard IEC 60603-7-51

Material data

Insulating material	PA 9T	Colour	black
Colour chart (similar)	RAL 9011	Insulating material group	II
Comparative Tracking Index (CTI)	≥ 500	Insulation strength	> 500 MΩ
Moisture Level (MSL)	1	UL 94 flammability rating	V-0
Contact base material	Phosphorus bronze	Contact surface	Gold over nickel
Layer structure of plug contact	30...80 μ" Ni / ≥ 30 μ" Au	Storage temperature, min.	-40 °C
Storage temperature, max.	85 °C	Operating temperature, min.	-40 °C
Operating temperature, max.	85 °C		

Packing

Packaging	Tray (manual assembly)	VPE length	25 mm
VPE width	175 mm	VPE height	300 mm

Creation date November 18, 2020 1:34:29 PM CET

Catalogue status 18.11.2020 / We reserve the right to make technical changes.

RJ45G1 R1V 3.3N4YG/YG TY

Weidmüller Interfaces GmbH & Co. KG

Postfach 3030

32760 Detmold

Tel. +49 5231 14-0

Fax. +49 5231 14-2083

info@weidmueller.com

www.weidmueller.com

Technical data

Classifications

ETIM 6.0	EC002637	ETIM 7.0	EC002637
eClass 9.0	27-44-04-02	eClass 9.1	27-44-04-02
eClass 10.0	27-44-04-02	eClass 11.0	27460201

Approvals

Approvals	CURUS
ROHS	Conform
UL File Number Search	E471884

Downloads

Brochure/Catalogue	MB FREECONTACT EN FL FIELDWIRING EN PI PROFINET CABLING EN
Engineering Data	STEP
Product Change Notification	PCN PCN
User Documentation	MAN IE GUIDE DE MAN IE GUIDE EN

RJ45G1 R1V 3.3N4YG/YG TY

Weidmüller Interfaces GmbH & Co. KG

Postfach 3030

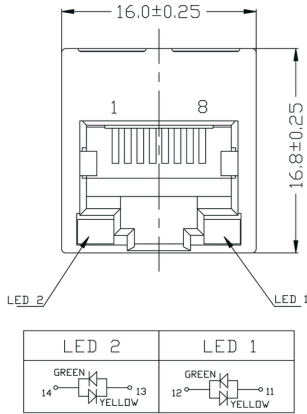
32760 Detmold

Tel. +49 5231 14-0

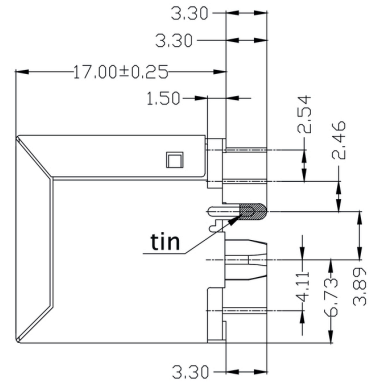
Fax. +49 5231 14-2083

Drawings

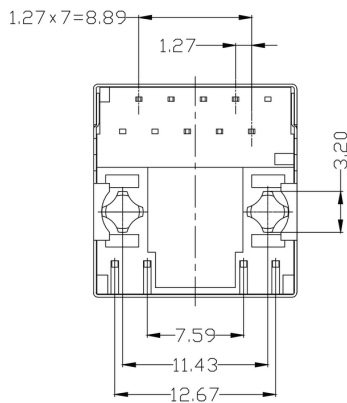
Dimensioned drawing



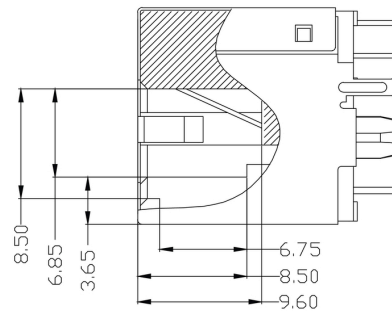
Dimensioned drawing info@weidmueller.com



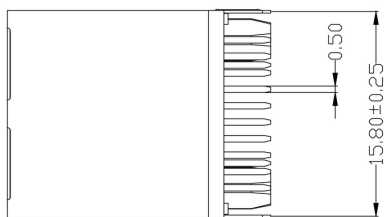
Dimensioned drawing



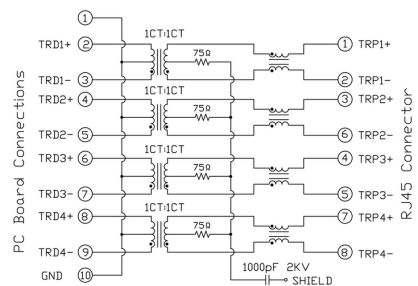
Dimensioned drawing



Dimensioned drawing



Wiring diagram



RJ45G1 R1V 3.3N4YG/YG TY**Weidmüller Interfaces GmbH & Co. KG**

Postfach 3030

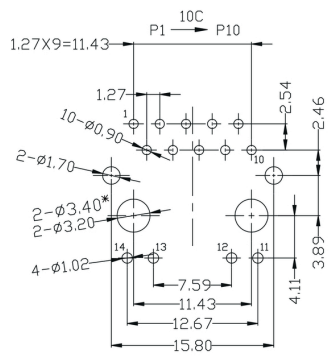
32760 Detmold

Tel. +49 5231 14-0

Fax. +49 5231 14-2083

info@weidmueller.com

www.weidmueller.com

Drawings**PCB design**

PCB LAYOUT

RJ45G1 R1V 3.3N4YG/YG TY

Weidmüller Interfaces GmbH & Co. KG

Postfach 3030

32760 Detmold

Tel. +49 5231 14-0

Fax. +49 5231 14-2083

info@weidmueller.com

Drawings

ueller.com

Characteristics

Inductance	350 µH min. @ 100 kHz, 100 mV, 8 mA DC Bias
Leakage Inductance	0.3 µH max. @ 100 kHz, 100 mV
Insertion Loss	1.1 dB max. @ (1 - 100) MHz
Return Loss	18 dB min. @ (1 - 30) MHz 16 dB min. @ (30 - 60) MHz 12 dB min. @ (60 - 80) MHz
Cross Talk	30 dB min. @ (1 - 100) MHz
Common Mode Rejection	30 dB min. @ (1 - 100) MHz

Code	Value	Description						
RJ45	G1	R1U	3.2	E	4	GY/GY	TY	RJ45G1 R1U 3.2E4GY/GY TY
Packaging	TY	Tray in box (manual assembly)						
	RL	Tape on Reel (automated assembly)						
LED	Y/G	Yellow/Green						
	G/Y	Green/Yellow (standard)						
	GY/GY	Green-Yellow/Green-Yellow						
	O/G	Orange/Green						
	R/O	Red/Orange						
 (further combinations possible)						
	N	without LED						
Contact surface thickness	4	1 = 3µ", 2 = 6µ", 3 = 15µ", 4 = 30µ", 5 = 50µ"						
EMI tabs (ground fingers)	E	E = with EMI tabs						
	N	N = without EMI tabs						
Solder Pin length	3.2	3.2 mm						
	1.6	1.6 mm						
	D	SMD						
Direction, latch style	U	Horizontal (90°, side entry), latch up						
	D	Horizontal (90°, side entry), latch down						
	V	Vertical (180°, top entry)						
	Y	Diagonal (45°), latch up						
Number of Ports	1	1 Port						
	12; 14; ...	multi ports side by side, Multiport						
	21; 41; ...	multi ports about each other, Multilevel						
Assembly on PCB	R	Through Hole Reflow - THR						
	S	Soldering process: Wave or Reflow soldering						
	T	Surface Mount Technology - SMT						
	T	Soldering process: Reflow soldering						
	T	Through Hole Technology - THT						
	T	Soldering process: Wave						
Performance Category	C5	Category 5						
	C6	Category 6						
	C6A	Category 6A						
	C5e	Category 5e						
	M	10/100 Mbit						
	G1	10/100/1000 Mbit						
	G10	10 Gbit						
	U	Unshielded						
	MP	10/100 Mbit with POE						
	MP+	10/100 Mbit with POE+						

Type codes

Creation date November 18, 2020 1:34:29 PM CET

Catalogue status 18.11.2020 / We reserve the right to make technical changes.