

RJ45M R1V 3.3N4Y/G TY

Weidmüller Interfaces GmbH & Co. KG

Postfach 3030

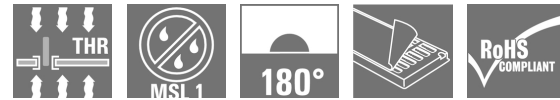
32760 Detmold

Tel. +49 5231 14-0

Fax. +49 5231 14-2083

info@weidmueller.com

www.weidmueller.com



RJ45 transmitter sockets (magnetics) for gigabit applications (1000 base-T) with integrated compensation actively counteracts inductive and capacitive couplings and saves space on the PCB.

The product range encompasses the following designs:

- 90°, lying (horizontal) and 180°, standing (vertical)
- latch up / latch down
- THT, THR or SMD soldering processes
- Wide range of different design types, also with integrated LEDs and shield contact tabs
- Transmission rates of up to 1 Gbps
- Packed either in a tray (TY) or on a roll (tape-on-reel, RL)
- Compatible with modular RJ45 connector according to ANSI / TIA-1096-A and IEC 60603
- Dielectric strength ≥ 1500 V AC RMS (2250 V AC peak value) according to IEEE 802.3
- Dielectric strength ≥ 1500 V AC (peak value) or ≥ 1500 V DC according to IEC 60603
- Compliance with IEEE 802.3 requirements (1000Base-T, 1 Gbps, IEEE 802.3ab or 100Base-Tx, 100 Mbps, IEEE 802.3u)

Properties and advantages:

- Extended temperature range of -40 °C to $+85$ °C for maximum performance
- Reinforced gold layer (30μ "") for improved corrosion protection

- At least 0.3mm stand-off ensures a perfect soldering result

General ordering data

Article - short description PCB plug-in connector, RJ45 jacks transformer, 10/100 MBit/s , THT/THR solder connection, 180°, Shield tabs: none, 30...80 μ " Ni / ≥ 30 μ " Au , LED: Yes, yellow, green, Number of poles: 8, Tray (manual assembly)

Material number [2461070000](#)

Short text for material RJ45M R1V 3.3N4Y/G TY

EAN 4050118476071

Qty. 120 pc(s).

Creation date November 18, 2020 1:34:31 PM CET

Catalogue status 18.11.2020 / We reserve the right to make technical changes.

RJ45M R1V 3.3N4Y/G TY

Weidmüller Interfaces GmbH & Co. KG

Postfach 3030

32760 Detmold

Tel. +49 5231 14-0

Fax. +49 5231 14-2083

info@weidmueller.com

www.weidmueller.com

Technical data

Dimensions and weights

Depth	16.8 mm	Depth (inches)	0.661 inch
Height	20.3 mm	Height (inches)	0.799 inch
Height of lowest version	17 mm	Net weight	3.658 g
Width	16 mm	Width (inches)	0.63 inch

Environmental Product Compliance

REACH SVHC Lead 7439-92-1

System specifications

Colour of left LED	yellow	Colour of right LED	green
Diameter of solder eyelet	0.9 mm	LED	Yes
Mounting onto the PCB	THT/THR solder connection	Number of poles	8
Number of solder pins per pole	1	Outgoing elbow	180°
Performance-Category	10/100 MBit/s	Pitch in inches	0.05 inch
Pitch in mm	1.27 mm	Plugging cycles	750
Product family	OMNIMATE Data - RJ45 transformer jack	Protection degree	IP20
Shield surface	nickel-plated	Shield tabs	none
Shielding	Yes	Shielding material	Brass
Soldering process	Manual soldering, Wave soldering	Tolerance of the diameter of the solder eyelet	± 0.1 mm
Transmission rate	10/100 MBit/s	Type of connection	Socket connector

Electrical properties

Dielectric strength, contact / contact	1000 V DC	Dielectric strength, contact / shield	1500 V DC
Insulation strength	> 500 MΩ	Rated current	1.5 A
Rated voltage	125 V AC		

Material data

Insulating material	PA 9T	Colour	black
Colour chart (similar)	RAL 9011	Insulating material group	II
Comparative Tracking Index (CTI)	≥ 500	Insulation strength	> 500 MΩ
Moisture Level (MSL)	1	UL 94 flammability rating	V-0
Contact base material	Phosphorus bronze	Contact surface	Gold over nickel
Layer structure of plug contact	30...80 μ" Ni / ≥ 30 μ" Au	Storage temperature, min.	-40 °C
Storage temperature, max.	85 °C	Operating temperature, min.	-40 °C
Operating temperature, max.	85 °C		

Packing

Packaging	Tray (manual assembly)	VPE length	0 m
VPE width	0 m	VPE height	0 m

Classifications

ETIM 6.0	EC002637	ETIM 7.0	EC002637
eClass 9.0	27-44-04-02	eClass 9.1	27-44-04-02
eClass 10.0	27-44-04-02	eClass 11.0	27460201

Creation date November 18, 2020 1:34:31 PM CET

Catalogue status 18.11.2020 / We reserve the right to make technical changes.

RJ45M R1V 3.3N4Y/G TY**Weidmüller Interfaces GmbH & Co. KG**

Postfach 3030

32760 Detmold

Tel. +49 5231 14-0

Fax. +49 5231 14-2083

info@weidmueller.comwww.weidmueller.com**Technical data****Approvals**

Approvals	CURUS
ROHS	Conform
UL File Number Search	E471884

Downloads

Engineering Data	STEP
Product Change Notification	PCN PCN
User Documentation	MAN IE GUIDE DE MAN IE GUIDE EN

RJ45M R1V 3.3N4Y/G TY

Weidmüller Interfaces GmbH & Co. KG

Postfach 3030

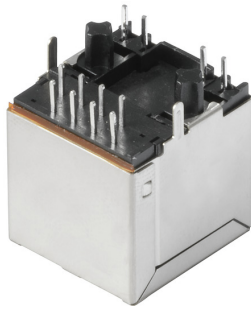
32760 Detmold

Tel. +49 5231 14-0

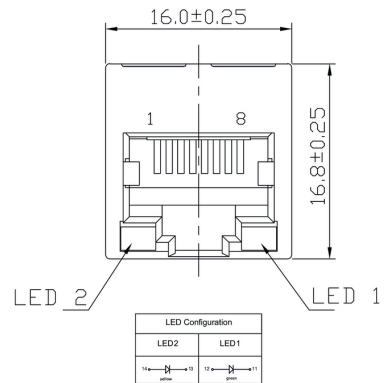
Fax. +49 5231 14-2083

Drawings

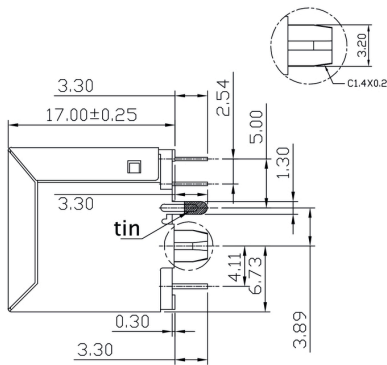
Dimensioned drawing



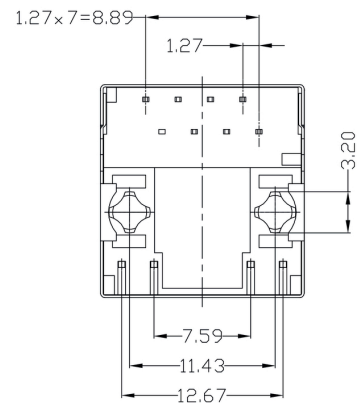
Dimensional drawing info@weidmueller.com



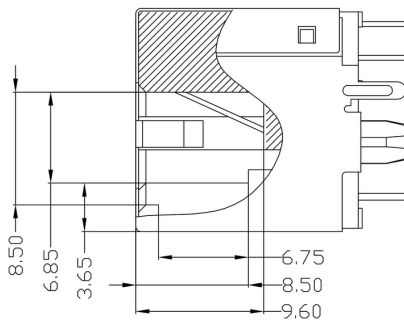
Dimensional drawing



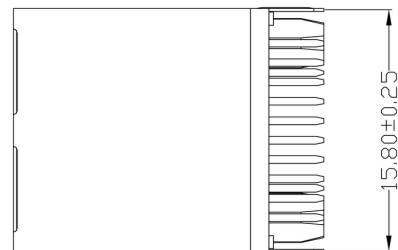
Dimensional drawing



Dimensional drawing



Dimensional drawing



RJ45M R1V 3.3N4Y/G TY

Weidmüller Interfaces GmbH & Co. KG

Postfach 3030

32760 Detmold

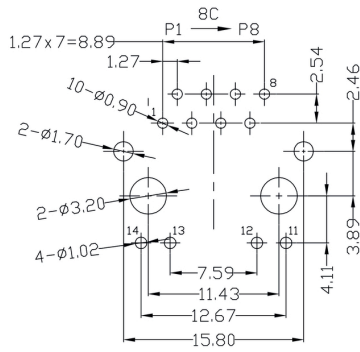
Tel. +49 5231 14-0

Fax. +49 5231 14-2083

info@weidmueller.com

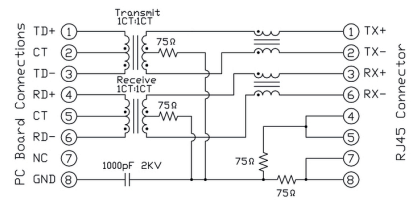
Drawings

PCB design



PCB LAYOUT

Wiring diagram



RJ45M R1V 3.3N4Y/G TY

Weidmüller Interfaces GmbH & Co. KG

Postfach 3030

32760 Detmold

Tel. +49 5231 14-0

Fax. +49 5231 14-2083

info@weidmueller.com

Drawings

ueller.com

Characteristics

Inductance	350 µH min. @ 100 kHz, 100 mV, 8 mA DC Bias
Leakage Inductance	0.3 µH max. @ 100 kHz, 100 mV
Insertion Loss	1.1 dB max. @ (1 - 100) MHz
Return Loss	18 dB min. @ (1 - 30) MHz 16 dB min. @ (30 - 60) MHz 12 dB min. @ (60 - 80) MHz
Cross Talk	30 dB min. @ (1 - 100) MHz
Common Mode Rejection	30 dB min. @ (1 - 100) MHz

Code	Value	Description							
RJ45	G1	R1	U	3.2	E	4	GY/GY	TY	RJ45G1 R1U 3.2E4GY/GY TY
Packaging	TY	Tray in box (manual assembly)							
	RL	Tape on Reel (automated assembly)							
LED	Y/G	Yellow/Green							
	G/Y	Green/Yellow (standard)							
	GY/GY	Green-Yellow/Green-Yellow							
	O/G	Orange/Green							
	R/O	Red/Orange							
 (further combinations possible)							
	N	without LED							
Contact surface thickness	4	1 = 3µ", 2 = 6µ", 3 = 15µ", 4 = 30µ", 5 = 50µ"							
EMI tabs (ground fingers)	E	E = with EMI tabs							
	N	N = without EMI tabs							
Solder Pin length	3.2	3.2 mm							
	1.6	1.6 mm							
	D	SMD							
Direction, latch style	U	Horizontal (90°, side entry), latch up							
	D	Horizontal (90°, side entry), latch down							
	V	Vertical (180°, top entry)							
	Y	Diagonal (45°), latch up							
Number of Ports	1	1 Port							
	12; 14; ...	multi ports side by side, Multiport							
	21; 41; ...	multi ports about each other, Multilevel							
Assembly on PCB	R	Through Hole Reflow - THR							
	S	Soldering process: Wave or Reflow soldering							
	T	Surface Mount Technology - SMT							
	T	Soldering process: Reflow soldering							
	T	Through Hole Technology - THT							
	T	Soldering process: Wave							
Performance Category	C5	Category 5							
	C6	Category 6							
	C6A	Category 6A							
	C5e	Category 5e							
	M	10/100 Mbit							
	G1	10/100/1000 Mbit							
	G10	10 Gbit							
	U	Unshielded							
	MP	10/100 Mbit with POE							
	MP+	10/100 Mbit with POE+							

Type codes

Creation date November 18, 2020 1:34:31 PM CET

Catalogue status 18.11.2020 / We reserve the right to make technical changes.