

RJ45C5 T1U 2.8E4G/Y TY

Weidmüller Interfaces GmbH & Co. KG

Postfach 3030

32760 Detmold

Tel. +49 5231 14-0

Fax. +49 5231 14-2083

info@weidmueller.com

www.weidmueller.com



The product range encompasses the following designs:

- 90°, lying (horizontal) and 180°, standing (vertical)
- latch up / latch down
- THT, THR or SMD soldering processes
- Wide range of different design types, also with integrated LEDs and shield contact tabs
- Performance category Cat. 3 to Cat. 6
- Packed either in a tray (TY) or on a roll (tape-on-reel, RL)
- Compatible with modular RJ45 connector according to ANSI / TIA-1096-A and IEC 60603
- Dielectric strength ≥ 1500 V AC RMS (2250 V AC peak value) according to IEEE 802.3
- Dielectric strength ≥ 1500 V AC (peak value) or ≥ 1500 V DC according to IEC 60603

Properties and advantages:

- Extended temperature range of -40°C to $+85^{\circ}\text{C}$ for maximum performance
- Reinforced gold layer ($30\mu\text{m}$) for improved corrosion protection
- At least 0.3mm stand-off ensures a perfect soldering result

General ordering data

Version	PCB plug-in connector, RJ45 jacks, Cat. 5 , THT solder connection, 90°, Latch option: top, Shield tabs: 6 tabs, 30...80 μm Ni / ≥ 30 μm Au , LED: Yes, green, yellow, Number of poles: 12, Tray (manual assembly)
Order No.	2562880000
Type	RJ45C5 T1U 2.8E4G/Y TY
GTIN (EAN)	4050118571905
Qty.	140 pc(s).
Packaging	Tray (manual assembly)

RJ45C5 T1U 2.8E4G/Y TY

Weidmüller Interfaces GmbH & Co. KG

Postfach 3030

32760 Detmold

Tel. +49 5231 14-0

Fax. +49 5231 14-2083

info@weidmueller.com

www.weidmueller.com

Technical data

Dimensions and weights

Depth	15.7 mm	Depth (inches)	0.618 inch
Height	16.74 mm	Height (inches)	0.659 inch
Height of lowest version	13.44 mm	Net weight	6.186 g
Width	16.4 mm	Width (inches)	0.646 inch

System specifications

Category	Cat. 5	
Colour of left LED	green	
Colour of right LED	yellow	
LED	Yes	
Latch option	top	
Mounting onto the PCB	THT solder connection	
Number of poles	12	
Number of solder pins per pole	1	
Outgoing elbow	90°	
Performance-Category	Cat. 5	
Pitch in inches (P)	0.05 inch	
Pitch in mm (P)	1.27 mm	
Plugging cycles	≥ 1500	
Product family	OMNIMATE Data - RJ45 modular jack	
Protection degree	IP20	
Shield surface	nickel-plated	
Shield tabs	6 tabs	
Shielding	Yes	
Shielding material	Brass	
Solder eyelet hole diameter (D)	0.9 mm	
Solder eyelet hole diameter tolerance (D)	± 0.1 mm	
Solder pin length (l)	2.75 mm	
Solder pin length tolerance	+0.2 / -0.2 mm	
Solder pin length tolerance	Lower tolerance with prefix (reveals minimum)	-0.2
	Upper tolerance with prefix (reveals maximum)	+0.2
	Tolerance, unit	mm
Soldering process	Reflow soldering, Manual soldering, Wave soldering	
Type of connection	Socket connector	
Wiring	8-core	

Electrical properties

Dielectric strength, contact / contact	1000 V AC	Insulation strength	1000 MΩ at 500 V DC
Rated current	1.5 A	Rated voltage	125 V AC

Standards

Connector standard	IEC 60603-7-51
--------------------	----------------

RJ45C5 T1U 2.8E4G/Y TY

Weidmüller Interfaces GmbH & Co. KG

Postfach 3030

32760 Detmold

Tel. +49 5231 14-0

Fax. +49 5231 14-2083

info@weidmueller.com

Technical data

Material data

Insulating material	PA 66	Colour	black
Colour chart (similar)	RAL 9011	Insulating material group	II
Comparative Tracking Index (CTI)	≥ 500	Insulation strength	1000 MΩ at 500 V DC
UL 94 flammability rating	V-0	Contact base material	Phosphorus bronze
Contact surface	Gold over nickel	Layer structure of plug contact	30...80 μ" Ni / ≥ 30 μ" Au
Storage temperature, min.	-40 °C	Storage temperature, max.	85 °C
Operating temperature, min.	-40 °C	Operating temperature, max.	85 °C

Packing

Packaging	Tray (manual assembly)	VPE length	0 m
VPE width	0 m	VPE height	0 m

Classifications

ETIM 6.0	EC002637	ETIM 7.0	EC002637
eClass 9.0	27-44-04-02	eClass 9.1	27-44-04-02
eClass 10.0	27-44-04-02	eClass 11.0	27460201

Approvals

Approvals



ROHS	Conform
UL File Number Search	E471884

Downloads

Engineering Data	STEP
------------------	----------------------

RJ45C5 T1U 2.8E4G/Y TY

Weidmüller Interfaces GmbH & Co. KG

Postfach 3030

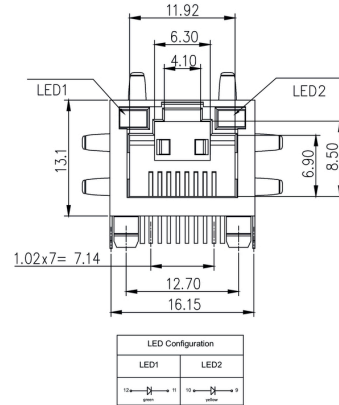
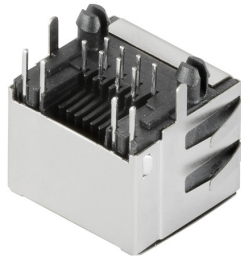
32760 Detmold

Tel. +49 5231 14-0

Fax. +49 5231 14-2083

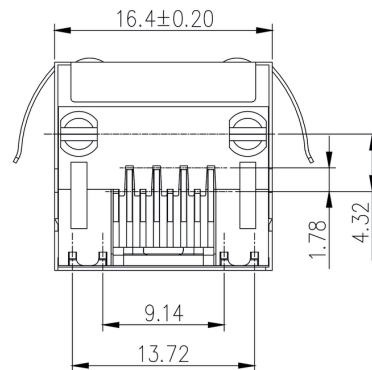
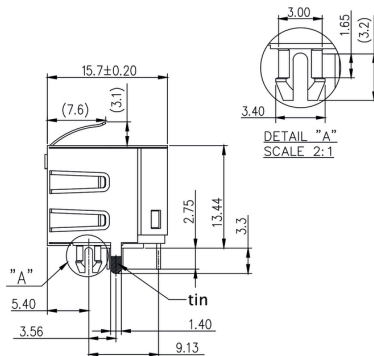
Drawings

Dimensioned drawing info@weidmueller.com

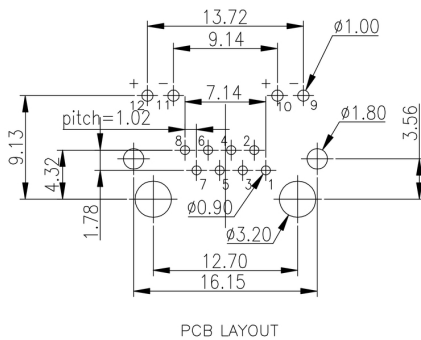


Dimensioned drawing

Dimensioned drawing



PCB design



RJ45C5 T1U 2.8E4G/Y TY

Weidmüller Interfaces GmbH & Co. KG

Postfach 3030

32760 Detmold

Tel. +49 5231 14-0

Fax. +49 5231 14-2083

info@weidmueller.com

www.weidmueller.com

Drawings

Dimensioned drawing

Code	Value	Description
RJ45	G1	RJ45G1
R	1	R1
U	3.2	U3.2
E	4	E4
G	GY/GY	G/GY
TY		TY
RJ45G1 R1U 3.2E4G/Y TY		
Packaging	TY RL	Tray in box (manual assembly) Tape on Reel (automated assembly)
LED	Y/G G/Y GY/GY O/G R/O ... N	Yellow/Green Green/Yellow (standard) Green-Yellow/Green-Yellow Orange/Green Red/Orange ... (further combinations possible) without LED
Contact surface thickness	4	1 = 3µ, 2 = 6µ, 3 = 15µ, 4 = 30µ, 5 = 50µ
EMI tabs (ground fingers)	E N	E = with EMI tabs N = without EMI tabs
Solder Pin length	3.2 1.6 D	3.2 mm 1.6 mm SMD
Direction, latch style	U D V Y	Horizontal (90°, side entry), latch up Horizontal (90°, side entry), latch down Vertical (180°, top entry) Diagonal (45°), latch up
Number of Ports	1 12; 14; ... 21; 41; ...	1 Port multi ports side by side, Multiport multi ports about each other, Multilevel
Assembly on PCB	R S T	Through Hole Reflow - THR Soldering process: Wave or Reflow soldering Surface Mount Technology - SMT Soldering process: Reflow soldering Through Hole Technology - THT Soldering process: Wave
Performance Category	C5 C6 C6A C5e M G1 G10 U MP MP+	Category 5 Category 6 Category 6A Category 5e 10/100 Mbit 10/100/1000 Mbit 10 Gbit Unshielded 10/100 Mbit with POE 10/100 Mbit with POE+

Legend