

---

## CHT-BG3M-Datasheet

Version: 1.7  
27-Nov-14  
(Last Modification Date)

### High Temperature Voltage Reference 2.5V; 3.3V; 5V; 9V; 10V or 12V +/- 2%

---

#### General Description

The CHT-BG3M is a bandgap voltage reference compatible with High Temperature environments. Typical operation temperature range extends from -55°C to 225°C. Its total precision (initial plus temperature drift plus line and load regulation) is better than 2%.

The CHT-BG3M has a quiescent current consumption of 700µA. The circuit can deliver an output current of up to 3mA into an external load at 225°C. It is stable throughout the whole temperature range for load capacitances between 0 and 3nF.

The minimum dropout voltage is 1.5V<sup>(1)</sup> with a load current lower than 1mA and 2.5V<sup>(1)</sup> at 3mA load current. The maximum acceptable dropout voltage ( $V_{in}-V_{out}$ ) is 15V.

The CHT-BG3M is available in TO-39 package and in bare die. Other packages are available upon request.

#### Applications

Precise Voltage reference with low temperature drift for High Temperature electronic systems used in Well logging, Automotive, Aeronautics or Aerospace applications.

#### Features

- 1.5V<sup>(1)</sup> to 15V<sup>(2)</sup> Dropout voltage @1mA
- 2.5V<sup>(1)</sup> to 15V<sup>(2)</sup> Dropout voltage @3mA
- Max. output current: 3mA @225°C
- Max. load capacitance 3nF
- Output voltage programmable by bonding option (bare die version)
- Available in TO-39 and bare die form (contact CISSOID). Other packages available on request.
- Validated at 225°C for 30000 hours (and still on-going)
- Start-up operational over the whole temperature range
- Latch-up free

---

Note 1: for CHT-BG3M-025, min dropout is 2V @1mA and 3V @3mA

Note 2: Input voltage cannot exceed 25V.

**Absolute Maximum Ratings**

 Supply Voltage  $V_{in}$  -0.5 to 25V  
 Junction temperature 315°C

**Operating Conditions**

 Dropout Voltage  $1.5V^{(1)}$  to  $15V^{(2)}$   
 Junction temperature -55°C to +225°C

**ESD Rating (expected)**

Human Body Model 1kV

Stresses above those listed in "Absolute Maximum Ratings" may cause permanent damage to the device. This is a stress only rating and operation of the device at these or any other conditions above those indicated in the operational sections of this specification is not implied. Frequent or extended exposure to absolute maximum rating conditions or above may affect device reliability. During power up/restart without voltage regulator and depending on the quality of the power supply, peak voltage higher than 25V may be seen by the BG3M input, which exceeds the absolute maximum ratings and can cause permanent damage. This issue can be minimized by adding big decoupling capacitor (>10 $\mu$ F) close to the BG3M input.

**Electrical Characteristics**

Following table is relative to the 5V mode (CHT-BG3M-050).

For other nominal voltage, see notes under this table.

 Values over the whole temperature range (-55°C <  $T_j$  < 225°C) in bold.

Parameter	Condition	Min	Typ	Max	Units	note
Output voltage						
Initial accuracy	$I_L=1mA$ , $V_{in}=V_{out}+3V$ , $T_j = 25^\circ C$	-1		+1	%	
Total accuracy	$I_L=[1mA..3mA]$ , $V_{in} = [V_{out}+3V .. V_{out}+15V]$	<b>-2</b>	<b>0</b>	<b>2</b>	%	
Drift with temperature	$I_L=1mA$ , $V_{in}=V_{out}+3V$	<b>0</b>		<b>70</b>	ppm	(3)
Line regulation	$I_L=1mA$ , $V_{in}=[V_{out}+2V..V_{out}+15V]$	<b>-1</b>		<b>1</b>	mV/V	(4)
Load regulation $R_{out}$	$I_L=0mA$ to 3mA $V_{in}=V_{out}+3V$ $T_j=25^\circ C$		<b>-7</b>		mV/mA	
	$I_L=0mA$ to 3mA $V_{in}=V_{out}+3V$ $T_j=225^\circ C$			<b>-16</b>		
Dropout $V_{in}-V_{out}$	$I_L=1mA$	<b>1.5</b>			V	(1)
	$I_L=3mA$	<b>2.5</b>			V	(1)
Quiescent Ground Pin current	$0 < I_L < 3mA$ ; $V_{in}=V_{out}+3V$		<b>700</b>	<b>800</b>	$\mu A$	
Power supply rejection ratio	$f=0Hz .. 100Hz$ $V_{in}=V_{out}+2V$ ; $I_{load}=0mA$	<b>60</b>			dB	(5)
Output noise	0.1Hz-10Hz $I_L=0mA$ ; $T_j = 225^\circ C$		100		$\mu V_{RMS}$	(6)

Note 1: for CHT-BG3M-025, min dropout is 2V @1mA and 3V @3mA

Note 2: Input voltage cannot exceed 25V.

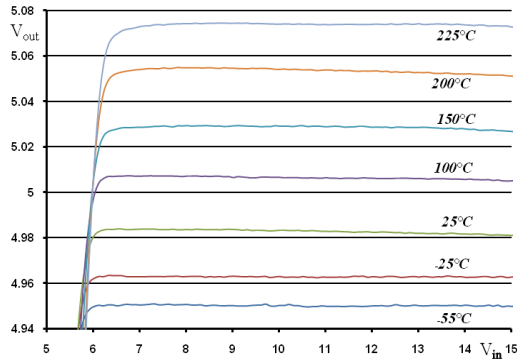
 Note 3: ppm are defined as  $[d(V_{out})/d(T)]/V_{out}$ . For 5V mode, 70ppm corresponds to 350 $\mu V/^\circ C$ .

Note 4: Defining "x" as the nominal voltage, the line regulation is better than x/5 mV/V.

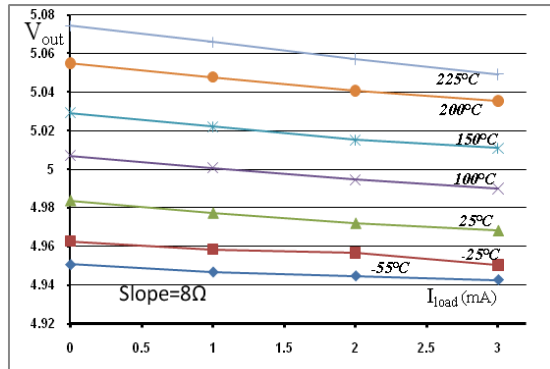
Note 5: Defining "x" as the nominal voltage, the minimum power supply rejection ratio is 66-1.2x .dB

 Note 6: Defining "x" as the nominal voltage, typical noise level is  $(x/5)*240\mu VRMS$

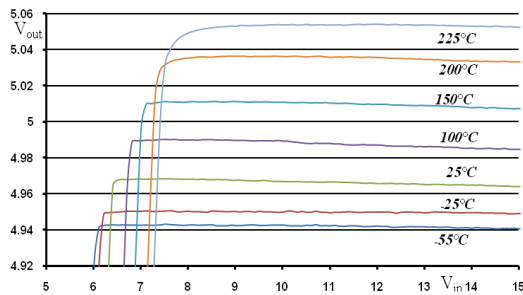
**Typical Performance Characteristics (5V mode)**



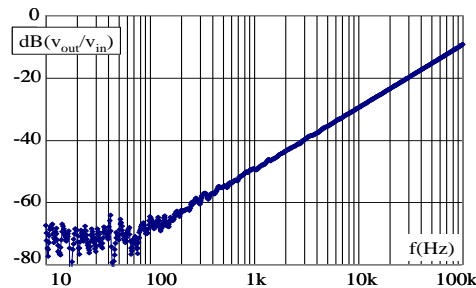
**Figure 1: CHT-BG3M-050 output voltage versus input voltage from -55°C up to 225°C ( $I_{load}=0mA$ ;  $C_{load}=1nF$ )**



**Figure 3: CHT-BG3M-050 output voltage versus load current from -55°C up to 225°C ( $V_{in}=8V$ ;  $C_{load}=1nF$ )**

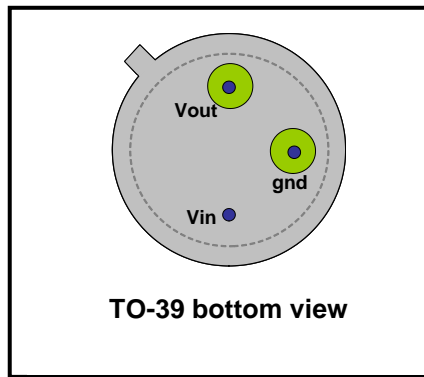


**Figure 2: CHT-BG3M-050 output voltage versus input voltage from -55°C up to 225°C ( $I_{load}=3mA$ ;  $C_{load}=1nF$ )**



**Figure 4: CHT-BG3M-050 input ripple rejection @ 25°C ( $V_{in}=7V$ ;  $I_{load}=0$ ;  $C_{load}=1nF$ )**

**Available Packaging Options**



**Figure 1. CHT-BG3M in TO-39 package**

**NOTES:**

- The CHT-BG3M can also be ordered as die.
- Packaging options shown are only indicative. Other possibilities are also available.
- Ask CISSOID for other packaging configurations.

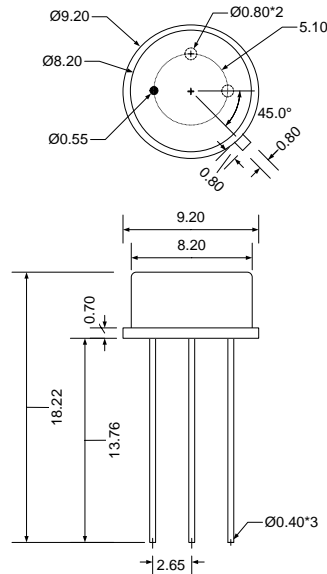
**Product Reference**

CHT-BG3M-XXX-YYYY

XXX= Output voltage. Example : 3.3V=033 ; 5V=050 ; 12V=120  
YYYY= TO39

Ex: CHT-BG3M-050-TO39 = 5V reference with TO39 package

## Package Dimensions



Drawing TO39 (mm +/- 10%)

## Contact & Ordering

### CISSOID S.A.

<b>Headquarters and contact EMEA:</b>	CISSOID S.A. – Rue Francqui, 3 – 1435 Mont Saint Guibert - Belgium T : +32 10 48 92 10 - F: +32 10 88 98 75 Email: <a href="mailto:sales@cissoid.com">sales@cissoid.com</a>
<b>Sales Representatives:</b>	Visit our website: <a href="http://www.cissoid.com">http://www.cissoid.com</a>

## Disclaimer

*Neither CISSOID, nor any of its directors, employees or affiliates make any representations or extend any warranties of any kind, either express or implied, including but not limited to warranties of merchantability, fitness for a particular purpose, and the absence of latent or other defects, whether or not discoverable. In no event shall CISSOID, its directors, employees and affiliates be liable for direct, indirect, special, incidental or consequential damages of any kind arising out of the use of its circuits and their documentation, even if they have been advised of the possibility of such a damage. The circuits are provided "as is". CISSOID has no obligation to provide maintenance, support, updates, or modifications.*