

# FS Series Flow Switches

## Flow detection switches



- 15mm and 22mm tube versions
- Low flow versions available
- Maximum Operating Pressure 10 bar
- WRAS approved for use in cold and hot water up to 60°C
- Operating temperature rated to 85°C

### Technical Specification

Material	Acetal Resin				
Colour	Black				
Temp. Range °C	-20 / +85				
°F	-4 / +185				
		FS15A	FS15LF	FS22A	FS22LF
Must operate flow rate*	litres/min	2.0	0.90	3.75	1.75
	US Gal/min	0.53	0.24	0.99	0.47
Must release flow rate #	litres/min	0.3	0.25	1.40	0.75
	US Gal/min	0.08	0.07	0.37	0.20
Cable	25cm PVC insulated				

### Electrical Specification

Contact Form		N/O with no flow
Switching Power Max	VA	25
Switching Voltage AC Max	V	240
Switching Voltage DC Max	V	120
Switching Current Max	A	0.6

All ratings are for resistive load only.

These flow switches are designed for use in liquid flow systems at pressures up to 10 bar and temperatures up to 85°C.

The design is based around a moving magnet and a fixed reed switch with a low flow restriction.

The switches are designed to be used in liquids only and should not be used in systems with significant amounts of solid particles.

Custom versions can be made for particular applications.

### Standard Parts

Standard Parts	Must operate l/min	Must release l/min	Approvals
FS15A	2.0	0.3	WRAS
FS15LF	0.90	0.25	WRAS
FS22A	3.75	1.40	WRAS
FS22LF	1.75	0.75	WRAS

\* The switch will have operated (contacts close) when the flow rate rises above this value.

# The switch will have released (contacts open) when the flow rate falls below this value.

NB Operate and release flow rates only apply when the switch is mounted with the flow direction vertical. The sensitivity of the switch is reduced when mounted with the flow direction horizontal.

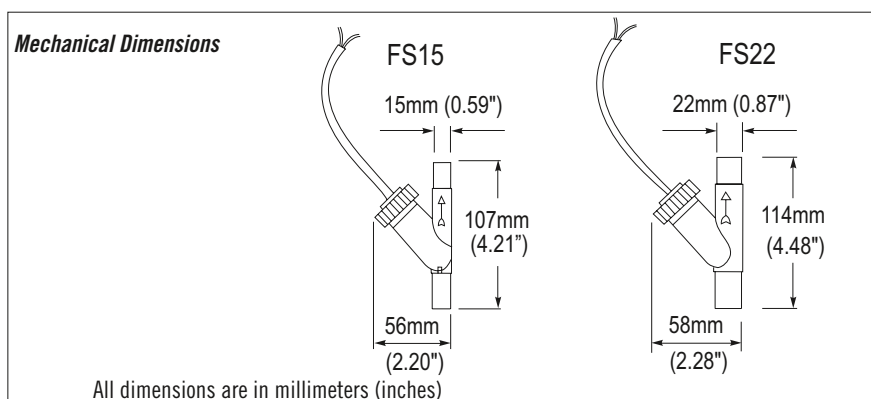
### Installation

Flow switches can be mounted with the flow direction horizontal or vertical (upward flow). The cap with cable connection must always be upwards, as the piston is returned to its released position by gravity.

When using metal compression fittings to connect flow switches to copper tube, care must be taken not to over-tighten the fittings onto the flow switch body.

### CAUTION!

The use of plastic plumbing fittings may affect the electrical earth continuity bonding as required by IEE regulations. If in doubt, consult a qualified electrician.



Cynergy3 Components Ltd.  
7 Cobham Road  
Ferndown Industrial Estate  
Wimborne, Dorset BH21 7PE, UK  
Telephone: +44 (0)1202 897969  
Email: c3w\_sales@sensata.com

ISO9001 CERTIFIED

cynergy3-fs-v2



Made in the UK

www.cynergy3.com