



Specifications

Thermocouple Type

- 26721 Type E: Chromel/Constantan
- 26722 Type T: Copper/Constantan
- 26723 Type K: Chromel/Alumel
- 26724 Type J: Iron/Constantan

Accuracy

- Type E: $\pm 1.7^{\circ}\text{C}$ or $\pm 0.5\%$
- Type T: $\pm 1.0^{\circ}\text{C}$ or $\pm 0.75\%$
- Type K: $\pm 2.2^{\circ}\text{C}$ or $\pm 2\%$
- Type J: $\pm 2.2^{\circ}\text{C}$ or $\pm 0.75\%$

Temperature Range -184 to 260°C (-300° to 500°F) continuous, 371°C (700°F) short term

Response Time 0.5 seconds (ungrounded), 0.25 seconds (grounded) for the sensor to reach 63.2% of a change in mounting surface temperature.

Insulation Resistance 50 Megohms minimum at 50 VDC in ungrounded junction TCs

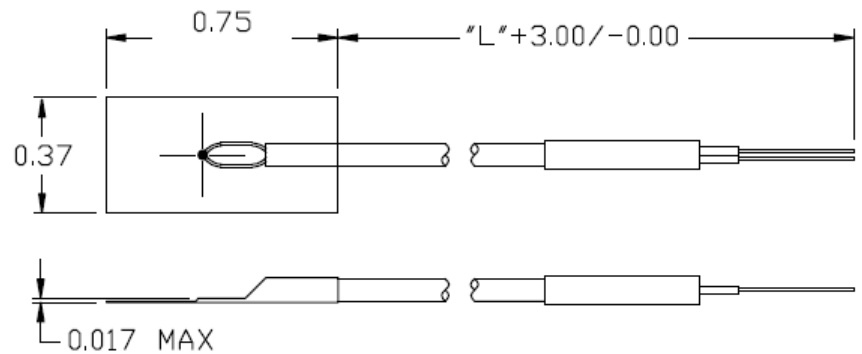
Operating Current 0.5 mA

Lead Wires 30 AWG Solid T/C wire with Fiberglass Insulation and overwrap, parallel lay

Case Material Kapton®

Features

- The thermocouple is embedded in a paper-thin laminate intended for surface applications
- Without pre-applied cement so you can select the adhesive or clamp for extended temperature capability
- Low mass, flexible, insulated, fast response, rugged construction, economical
- Flattened junction



Ordering Information & Options

26721	Type E	Stikon® Thermocouple
26722	Type T	
26723	Type K	
26724	Type J	
		LEAD LENGTH in inches

26721 - 40 Typical write-up